

ADDRESS: No. 67-9, Shir Men Road, Tu Cheng City,
Taipei Hsien, Taiwan

PHONE : 886-2-22608375 FAX : 886-2-22748013

E - mail : hometek@ms15.hinet.net

CE TEST REPORT FOR

APPLICANT : Smart ~~Óæ|ã * ÁBÁ|æ • { ã • ã } Á~~ Corp.
ADDRESS : 10F., No. 493, Chung-Cheng Rd., P•ã Ë/ã} Áã ð
~~Áp ^, Á~~ Taipei ~~Óæ Ë~~ 31, Taiwan, R. O. C.
Receipt Date : ~~Áæ~~ /08/20FH ~~Áæ~~ Final Test Date: ~~Áæ~~ /13/20FH
EUT : Converter Repeater
MODEL NO. : XR0XX

MEASUREMENT PROCEDURE USED

EN55022 CLASS B: 2010 / EN61000-3-2:2006+A1:2009+A2:2009
/ EN 61000-3-3:2008 / EN55024: 2010 GIVEN IN
EUROPEAN COUNCIL DIRECTIVE 2004/108/EC

This test result of this report applies to above tested sample only.

This test report shall not be reproducing in part without written approval of HomeTek Technology Inc.

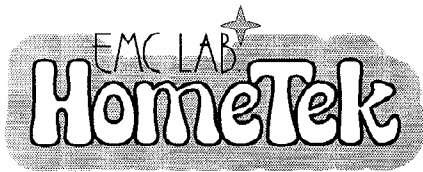
PREPARED BY :

HomeTek Technology Inc.

No. 67-9, Shir Men Road, Tu Cheng City,

Taipei Hsien. Taiwan

Report # : EB6K007



HomeTek Technology Inc.

ADDRESS: No. 67-9, Shir Men Road, Tu Cheng City,
Taipei Hsien

PHONE : 886-2-22608375 FAX : 886-2-22748013

E - mail : hometek@ms15.hinet.net

CERTIFICATE OF COMPLIANCE

EUT : Converter Repeater

MODEL NO. : XR0XX

Receipt Date : 04/08/2013 Final Test Date: 04/13/2013

REPORT # : EB6K007

APPLICANT : Smart Cabling & Transmission Corp.

ADDRESS : 10F., No. 493, Chung-Cheng Rd.,
Hsin-Tien City, Taipei 231, Taiwan, R. O. C.

Measurement procedure used:

EMI: EN55022 Class B: 2010

EN61000-3-2:2006+A1:2009+A2:2009, EN 61000-3-3:2008

EMS: EN55024: 2010

IEC 61000-4-2 : 2008, IEC 61000-4-3 : 2006+A1: 2007+A2:2010,

IEC 61000-4-4 : 2004+A1:2010, IEC 61000-4-5: 2005,

IEC 61000-4-6: 2008, IEC 61000-4-8: 2009, IEC 61000-4-11: 2004

We hereby show that:

The measurements shown in this test report were made in accordance with the procedures given in **EUROPEAN COUNCIL DIRECTIVE 2004/108/EC**, and the energy emitted by the equipment was found to be within the limits applicable. This product, which has been issued the test report listed as above in HomeTek Technology Inc., is based on single evaluation of one sample and confirmed to comply with the requirements of the above-mentioned EMC standard.

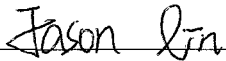
APPROVED BY : 

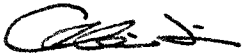
ALAIN LIN / Assistant Manage

TEST REPORT CERTIFICATION

EMC of electrical appliances

Report reference No. : EB6K007
 Date of issue : Apr., 16, 2013
 Applicant : Smart Cabling & Transmission Corp.
 Address : 10F., No. 493, Chung-Cheng Rd.,
 Hsin-Tien City, Taipei 231, Taiwan, R. O. C.
 Manufacturer : Smart Cabling & Transmission Corp.
 Type of test object : Converter Repeater
 Model/type reference : XR0XX
 EUT Voltage : AC 230V
 Test Result : Complied
 Testing laboratory : HomeTek Technology Inc.
 Address : No. 67-9, Shir Men Road, Tu Cheng City, Taipei Hsien,
 Taiwan, R. O. C.
 TEL / FAX : +886-2-22608375 / +886-2-22748013
 TEL / FAX : hometek@ms15.hinet.net
 Standard : *EN55022 CLASS B: 2010*
EN61000-3-2:2006+A1:2009+A2:2009
EN 61000-3-3:2008
EN55024: 2010
IEC 61000-4-2 : 2008,
IEC 61000-4-3 : 2006+A1: 2007+A2:2010,
IEC 61000-4-4 : 2004+A1:2010,
IEC 61000-4-5: 2005,
IEC 61000-4-6: 2008,
IEC 61000-4-8: 2009,
IEC 61000-4-11: 2004

Tested by (+ signature) : *Jason Lin / Engineer* 

Approved by (+ signature) : *Alain Lin / Assistant Manager* 



TEST REPORT CERTIFICATION..... 1

TABLE OF CONTENTS..... 2

TEST REPORT CERTIFICATION..... 1

GENERAL INFORMATION..... 5

MODIFICATION LIST..... 7

CONDUCTED POWER LINE TEST 8

1 TEST INSTRUMENTS & FACILITIES..... 8

2 TEST PROCEDURE..... 8

3 TEST SETUP 9

4 CONFIGURATION OF THE EUT 11

5 EUT OPERATING CONDITION..... 15

6 LIMIT OF CONDUCTED POWER LINE EMISSION CLASS B..... 15

7 RESULT OF CONDUCTED POWER LINE TEST..... 15

8 CONDUCTED POWER LINE TEST DATA (PAGE 1)..... 16

9 CONDUCTED POWER LINE TEST DATA (PAGE 2)..... 17

10 CONDUCTED POWER LINE TEST DATA (PAGE 3)..... 18

11 CONDUCTED POWER LINE TEST DATA (PAGE 4)..... 19

RADIATED EMISSION TEST..... 20

1 TEST INSTRUMENTS & FACILITIES..... 20

2 TEST PROCEDURE..... 21

3 TEST SETUP 21

4 CONFIGURATION OF THE EUT 23

5 EUT OPERATING CONDITION..... 23

6 LIMIT OF RADIATED EMISSION CLASS B 23

7 RESULT OF RADIATED EMISSION TEST..... 23

8 RADIATED EMISSION TEST DATA (PAGE 1)..... 24

9 RADIATED EMISSION TEST DATA (PAGE 2)..... 25

HARMONICS TEST..... 26

1 TEST INSTRUMENTS & FACILITIES..... 26

2 TEST PROCEDURE..... 26

3 TEST SETUP 26

4 CONFIGURATION OF THE EUT 26

5 OPERATION CONDITION OF EUT..... 26

6 TEST DATA & LIMIT..... 26

7 PHOTOS OF TEST CONFIGURATION PLEASE REFER TO APPENDIX A..... 26

8 HARMONICS TEST DATA (PAGE 1~2)..... 27

VOLTAGE FLUCTUATIONS TEST 29

1 TEST INSTRUMENTS & FACILITIES..... 29

2 TEST PROCEDURE..... 29



3 TEST SETUP 29

4 CONFIGURATION OF THE EUT 29

5 OPERATION CONDITION OF EUT 29

6 TEST DATA & LIMIT 29

7 PHOTOS OF TEST CONFIGURATION PLEASE REFER TO APPENDIX A 29

8 VOLTAGE FLUCTUATIONS TEST DATA (PAGE 1) 30

ELECTROSTATIC DISCHARGE IMMUNITY TEST (ESD) 31

1 TEST INSTRUMENTS & FACILITIES 31

2 TEST PROCEDURE 31

3 TEST SETUP 31

4 CONFIGURATION OF THE EUT 32

5 EUT OPERATION CONDITION 32

6 TEST CONDITION 32

7 PERFORMANCE CRITERIA 32

8 TEST RESULT 33

RADIO FREQUENCY ELECTROMAGNETIC FIELD IMMUNITY TEST (RF) 34

1 TEST INSTRUMENTS & FACILITIES 34

2 TEST PROCEDURE 34

3 TEST SETUP 35

4 CONFIGURATION OF THE EUT 36

5 OPERATION CONDITION OF EUT 36

6 TEST CONDITION 36

7 PERFORMANCE CRITERIA 36

8 TEST RESULT 37

ELECTRICAL FAST TRANSIENT/BURST IMMUNITY TEST (EFT) 38

1 TEST INSTRUMENTS & FACILITIES 38

2 TEST PROCEDURE 38

3 TEST SETUP 38

4 CONFIGURATION OF THE EUT 39

5 OPERATION CONDITION OF EUT 39

6 TEST CONDITION 39

7 PERFORMANCE CRITERIA 39

8 TEST RESULT 40

SURGE IMMUNITY TEST 41

1 TEST INSTRUMENTS & FACILITIES 41

2 TEST PROCEDURE 41

3 TEST SETUP 41

4 TEST LEVELS 42

5 CONFIGURATION OF THE EUT 42

6 EUT OPERATION CONDITION 42



7 CONDITIONS DURING TESTING 42

8 PERFORMANCE CRITERIA 43

9 TEST RESULT 43

IMMUNITY TEST TO CS CONDUCTED DISTURBANCE 44

1 TEST INSTRUMENTS & FACILITIES 44

2 TEST PROCEDURE 44

3 TEST SETUP 45

4 TEST LEVELS 46

5 CONFIGURATION OF THE EUT 46

6 EUT OPERATION CONDITION 46

7 CONDITIONS DURING TESTING 46

8 PERFORMANCE CRITERIA 47

9 TEST RESULT 47

POWER FREQUENCY MAGNETIC FIELD IMMUNITY TEST 48

1 TEST INSTRUMENTS & FACILITIES 48

2 TEST STANDARD 48

3 TEST SETUP 48

4 TEST LEVELS 49

5 CONFIGURATION OF THE EUT 49

6 OPERATION CONDITION OF EUT 49

7 CONDITIONS DURING TESTING 49

8 PERFORMANCE CRITERIA 49

9 TEST RESULTS 50

VOLTAGE DIPS, SHORT INTERRUPTIONS IMMUNITY TEST 51

1 TEST INSTRUMENTS & FACILITIES 51

2 TEST PROCEDURE 51

3 TEST SETUP 51

4 TEST LEVELS 52

5 CONFIGURATION OF THE EUT 52

6 EUT OPERATION CONDITION 52

7 CONDITIONS DURING TESTING 52

8 PERFORMANCE CRITERIA 53

9 TEST RESULT 53

APPENDIX A

PHOTOS OF TEST CONFIGURATION

APPENDIX B

PHOTOS OF EUT

GENERAL INFORMATION

- 1 APPLICANT : Smart Cabling & Transmission Corp.
- 2 ADDRESS : 10F., No. 493, Chung-Cheng Rd., Hsin-Tien Dist.,
New Taipei City, 231, Taiwan, R. O. C.
- 3 MANUFACTURER : Smart Cabling & Transmission Corp.
- 4 ADDRESS : 10F., No. 493, Chung-Cheng Rd., Hsin-Tien Dist.,
New Taipei City, 231, Taiwan, R. O. C.
- 5 DESCRIPTION OF EUT :
- EUT : Converter Repeater
- Model : XR0XX
- Serial # : N/A

5.1 The difference between series of models XR0XX are as shown below:

- (1) The first “X” represents different system input.
- (2) The second “X” represent different accessory.
- (3) The third “X” represent different color.

The PCB layout is similar. The worst case of EMC test data were shown in this test report.

6 FEATURES OF EUT :

Please refer to user manual or product specification.

7 TEST MODE :

The EUT were investigated with three resolution modes shown as below :

- (1) 1920 x 1080 Mode;
- (2) 1280 x 1024 Mode;
- (3) 800 x 600 Mode

The test mode of (1) 1920 x 1080 Mode is worst case, and the final test data were shown in this test report.



HomeTek Technology Inc.

MODIFICATION LIST

THE FOLLOWING ACCESSORIES WERE ADDED TO THE EUT DURING TESTING :

NO MODIFICATION BY HOMETEK TECHNOLOGY INC.

CONDUCTED POWER LINE TEST

1 TEST INSTRUMENTS & FACILITIES

The following test Instruments was used during the conducted test :

Item	Instruments/ Facilities	Specification	Manufacturer	Model #	Date Of Cal.
1	EMI Receiver	9KHz ~ 30MHz	ROHDE & SCHWARZ	ESHS 30 844827/007	FEB/2011
2	LISN (for EUT)	50Ω/50uH/100A 150KHz ~ 30MHz	SCHWARZ BECK	NNLK 8121 8121370	OCT/2011
3	LISN (for Support Unit)	50Ω/50uH/10A 9KHz ~ 30MHz	ROHDE & SCHWARZ	ESH3-Z5 846128/007	MAR/2011
4	Terminator	50Ω	N/A	N/A	NOV/2011
5	Attenuation	50Ω/10dB	Mini-Circuit	NAT-10 AT-002	JUL/2011
6	Cable	5.4m	SUHNER	RG-223 CON2-002	AUG/2011
7	ESXS-K1 (software)	Version 2.03b 9KHz ~ 30MHz	ROHDE & SCHWARZ	1082.9678.02 840.913/246	N/A

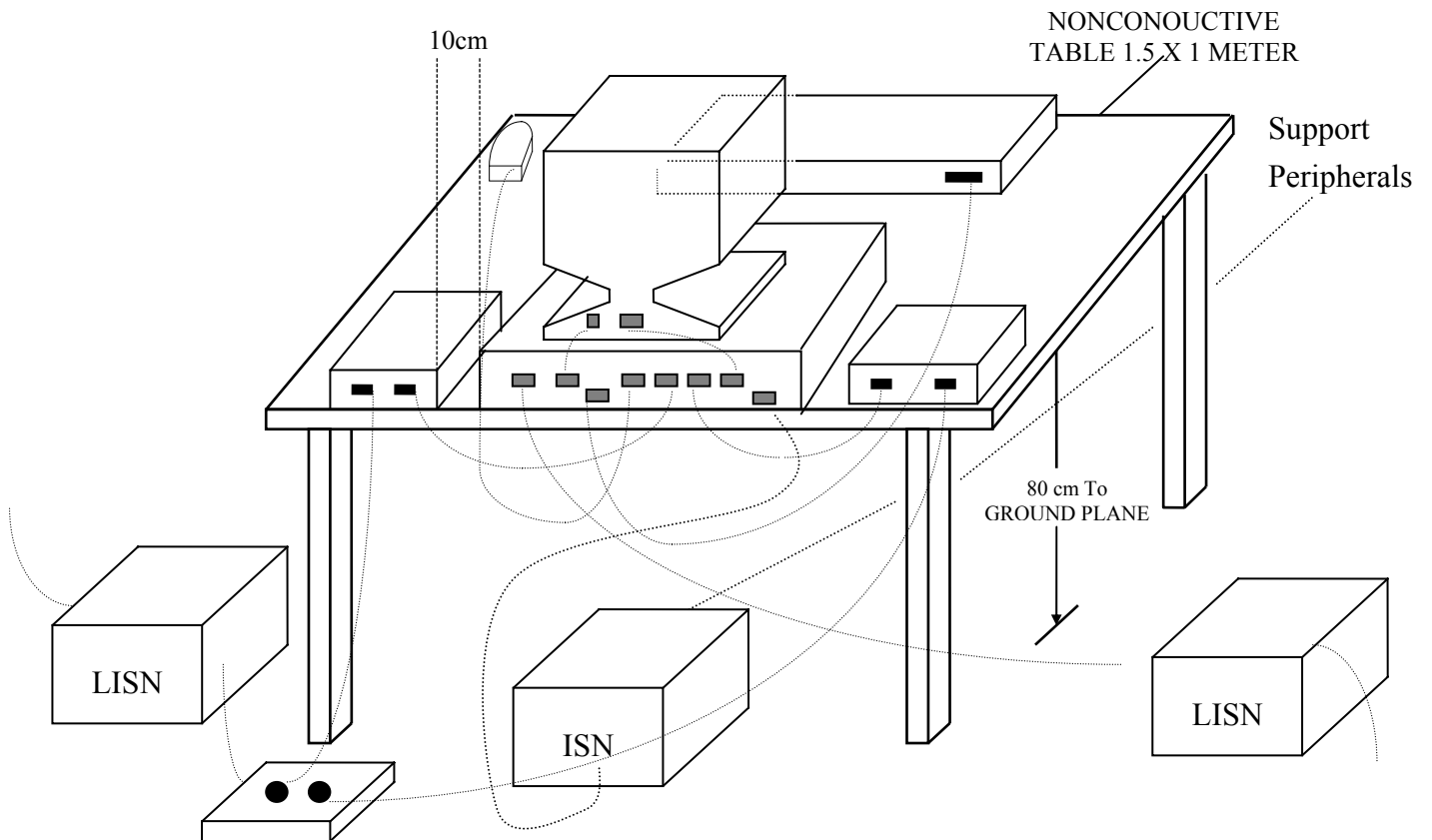
Note : Items 1 ~ 6 were calibrated within period of 1 year.

2 TEST PROCEDURE

- 2.1 The EUT was tested according to **EN55022 Class B**.
- 2.2 The EUT was placed 0.4 meter from the conducting wall of shielding room and kept at least 0.8 meter from any other grounded conducting surface.
- 2.3 The frequency range form 0.15 MHz to 30 MHz was investigated.
- 2.4 The LISN used was 50 Ohm / 50 uHenry as specified by **EN55022**.
- 2.5 All the support peripherals are connect to the other LISN.
- 2.6 Cables and peripherals were m oved to find the m aximum emission levels for each frequency.

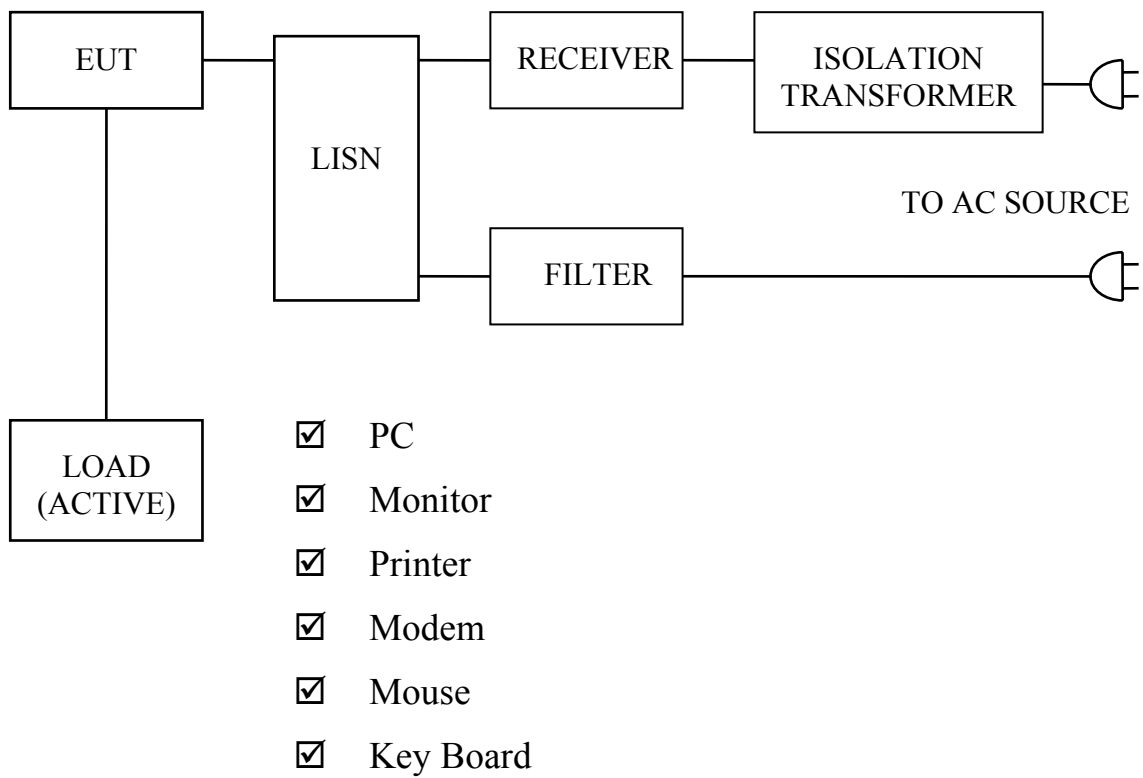
3 TEST SETUP

3.1 Typical : Setup Of Conducted Test



(Details for setup configuration, please refer to appendix A.)

3.2 Block Diagram Of Conducted Test





4 CONFIGURATION OF THE EUT

The EUT was configured according to **EN55022**. All I/O ports were connected to the appropriate peripherals. All peripherals and cables are listed below (including internal device) :

4.1 EUT

- EUT Type : Proto Type Engineer Type Mass Production
- Condition when received : Good Damage : _____
- Device : Converter Repeater
- Applicant : Smart Cabling & Transmission Corp.
- Manufacturer : Smart Cabling & Transmission Corp.
- Model Number : XR0XX
- Serial Number : N/A
- FCC ID : N/A
- HDMI IN Port : Metal Type Connector
- HDMI OUT Port : Metal Type Connector
- Power Cord (AC) : 2 pin
- Power Cord (DC) : Un-Shielded, 1.8 m, 2 pin
- Power Supply Type : Switching Power Adapter

4.2 PERIPHERALS

Host Personal Computer

- Manufacturer : HP/COMPAQ
- Model Number : dc7700CMT
- Serial Number : SGH6510V4B
- FCC ID : FCC DoC
- Data Cable : Shielded, 2 m, Connect to the HDMI OUT Port



HomeTek Technology Inc.

Power Cord : Un-Shielded, 1.8 m

VGA Card (Install to the Host Personal Computer)

Manufacturer : ASUS

Model Number : EN7600GT/HTDI/256M/A

Serial Number : N/A

FCC ID : N/A

Data Cable : N/A

Power Cord : N/A

Monitor

Manufacturer : BENQ

Model Number : FP241W

Serial Number : ETLA607230CL0

FCC ID : FCC DoC

Data Cable : Shielded, 1.7 m, Connected to the HDMI IN port

Power Cord : Un-Shielded, 1.8 m

Printer

Manufacturer : HP

Model Number : DJ400

Serial Number : MY77T1D0DD

FCC ID : B94C2642X

Data Cable : Shielded, 1.5 m, Connected to the Printer port

Power Cord & Adaptor : Un-Shielded, 1.8 m



Modem

Manufacturer : ACEEX
Model Number : 1414
Serial Number : 9013521
FCC ID : IFAXDM1414
Data Cable : Shielded, 1.5 m, Connected to the COM port
Power Cord & Adaptor : Un-Shielded, 1.8 m

Mouse (PSII)

Manufacturer : HP
Model Number : M-S69
Serial Number : 334684-002
FCC ID : FCC DoC
Data Cable : Shielded, 1.8 m, Connected to the PSII port
Power Cord : N/A

KeyBoard (PSII)

Manufacturer : DELL
Model Number : SK-8110
Serial Number : 31U-0512
FCC ID : FCC DoC
Data Cable : Shielded, 1.5 m, Connected to the PSII port
Power Cord : N/A



Power Adapter

Manufacturer : DVE
Model Number : DSA-15P-05 EU
Serial Number : N/A
FCC ID : N/A
Data Cable : N/A
Power Cord (DC) : Un-Shielded, 1.8 m

4.3 REMARK : N/A

5 EUT OPERATING CONDITION

- 5.1 The frequency of the EUT is none.
- 5.2 Configure the EUT according to the **EN 55022 Class B**.
- 5.3 The test configuration included PC, Keyboard, Mouse, Printer and Modem.
- 5.4 Turn on all the power of EUT and peripheral.
- 5.5 PC sends data signal (resolutions: 1920 x 1080 / 1280 x 1024 / 800x 600) to Monitor via EUT's HDMI port.
- 5.6 During the test, the PC sends "H" patterns to each I/O port individually. EUT display "H" character.
- 5.7 Adjust the location of EUT and peripheral to gain the maximum EMI noise.
- 5.8 The photos of conducted test configuration, please refer to appendix A.**

6 LIMIT OF CONDUCTED POWER LINE EMISSION CLASS B

Frequency Range	Quasi Peak	Average
0.15 ~ 0.5 MHz	66 - 56 dBuV	56 - 46 dBuV
0.5 ~ 5 MHz	56 dBuV	46 dBuV
5 ~ 30 MHz	60 dBuV	50 dBuV

7 RESULT OF CONDUCTED POWER LINE TEST

- 7.1 The frequency range from 0.15 MHz to 30 MHz was investigated. All readings are quasi-peak values and average.
- 7.2 IF bandwidth : 9 kHz, Meas Time : 1 sec.
- 7.3 Temperature : 22 °C, Humidity : 60 % RH.
- 7.4 Deviations from the test standards and rules : None.
- 7.5 The conducted test result were gained by following procedures :
 Level = Reading Level + Insertion Loss of LISN + Cable Loss
 (All calculation were done by ESHS30 EMI test receiver.)
- 7.6 Result : **PASSED**

8 CONDUCTED POWER LINE TEST DATA (PAGE 1)

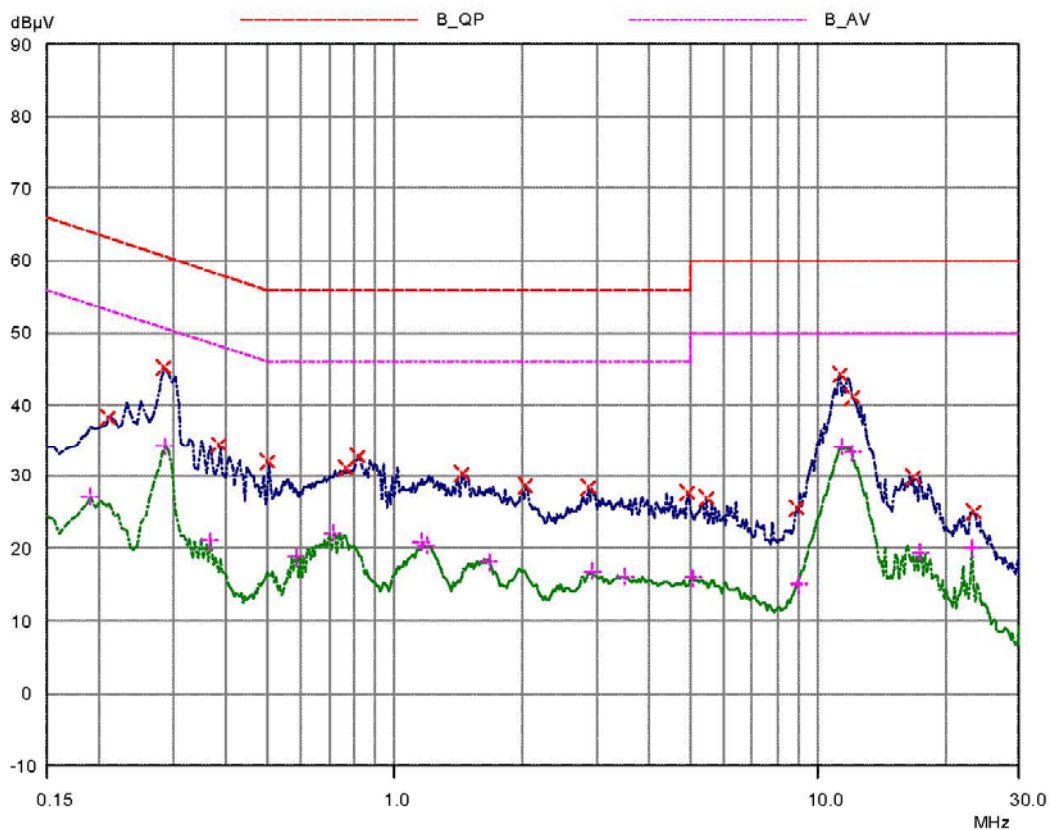
HomeTek EMC LAB. TEL :886-2-22608375

09 Nov 2012 17:20

CONDUCTED EMISSIONS

EUT: Converter Repeater
 Manuf: 6K007
 Op Cond: LINE 1
 Operator: LIAO
 Test Spec: FOR EN55022 CLASS B
 Comment: 230V/50Hz
 XR01 1920x1080
 Result File: 6k00711c.dat :

Prescan Measurement: Detectors: X PK / + AV
 Meas Time: see scan settings
 Subranges: 16
 Acc Margin: 55 dB





9 CONDUCTED POWER LINE TEST DATA (PAGE 2)

HomeTek EMC LAB. TEL :886-2-22608375

09 Nov 2012 17:20

CONDUCTED EMISSIONS

EUT: Converter Repeater
 Manuf: 6K007
 Op Cond: LINE 1
 Operator: LIAO
 Test Spec: FOR EN55022 CLASS B
 Comment: 230V/50Hz
 XR01 1920x1080
 Result File: 6k00711c.dat :

Prescan Measurement: Detectors: X PK / + AV
 Meas Time: see scan settings
 Subranges: 16
 Acc Margin: 55 dB

Peak Search Results

Frequency MHz	PK Level dBµV	PK Limit dBµV	PK Delta dB
0.21	38.29	63.21	24.92
0.285	45.12	60.67	15.55
0.385	34.38	58.17	23.79
0.5	31.95	56.00	24.05
0.765	31.01	56.00	24.99
0.82	32.75	56.00	23.25
1.45	30.25	56.00	25.75
2.02999	28.75	56.00	27.25
2.85	28.45	56.00	27.55
4.9	27.76	56.00	28.24
5.46	27.06	60.00	32.94
8.9	25.63	60.00	34.37
11.32	44.30	60.00	15.70
12.09	41.22	60.00	18.78
16.78	29.91	60.00	30.09
23.35	24.96	60.00	35.04

Frequency MHz	AV Level dBµV	AV Limit dBµV	AV Delta dB
0.19	27.13	54.04	26.91
0.285	34.27	50.67	16.40
0.365	20.97	48.61	27.64
0.585	18.90	46.00	27.10
0.71	22.14	46.00	23.86
1.15	20.95	46.00	25.05
1.19	20.45	46.00	25.55
1.67	18.13	46.00	27.87
2.9	16.79	46.00	29.21
3.49	16.08	46.00	29.92
5.04	15.99	50.00	34.01
8.96	14.95	50.00	35.05
11.42	34.16	50.00	15.84
12.02	33.27	50.00	16.73
17.41	19.47	50.00	30.53
23.13	20.09	50.00	29.91

* limit exceeded

10 CONDUCTED POWER LINE TEST DATA (PAGE 3)

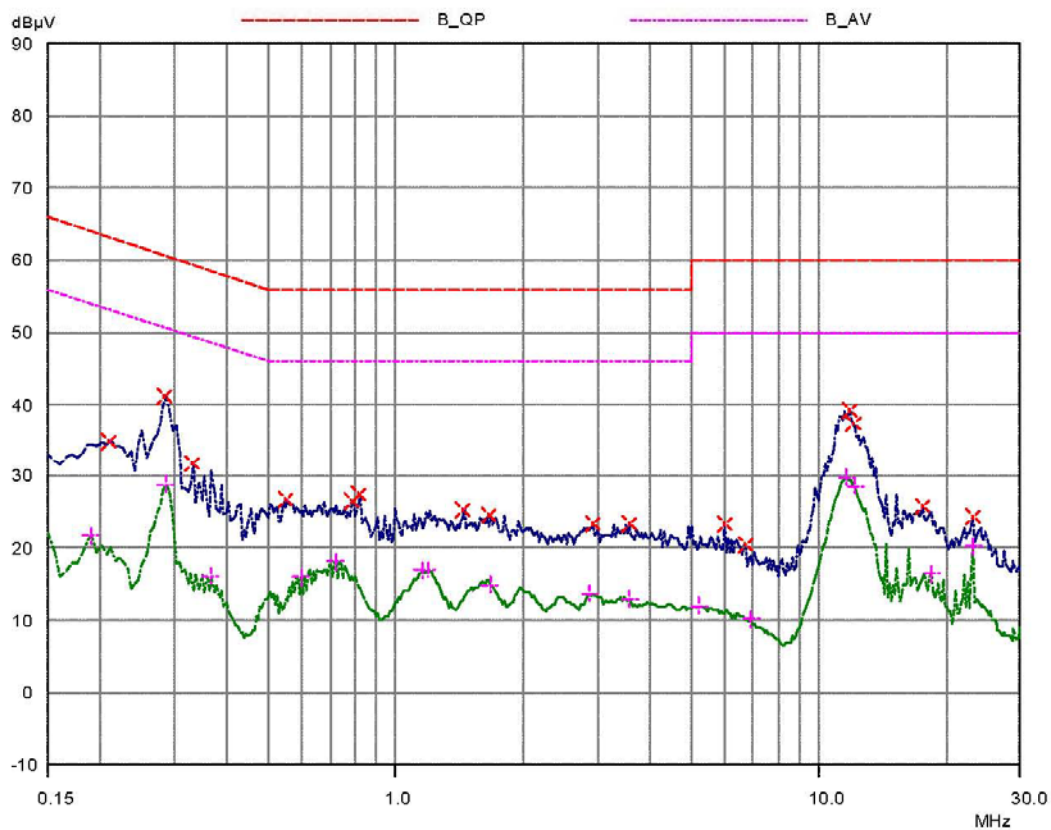
HomeTek EMC LAB. TEL :886-2-22608375

09 Nov 2012 17:25

CONDUCTED EMISSIONS

EUT: Converter Repeater
 Manuf: 6K007
 Op Cond: LINE 2
 Operator: LIAO
 Test Spec: FOR EN55022 CLASS B
 Comment: 230V/50Hz
 XR01 1920x1080
 Result File: 6k00721c.dat :

Prescan Measurement: Detectors: X PK / + AV
 Meas Time: see scan settings
 Subranges: 16
 Acc Margin: 55 dB





11 CONDUCTED POWER LINE TEST DATA (PAGE 4)

HomeTek EMC LAB. TEL :886-2-22608375

09 Nov 2012 17:25

CONDUCTED EMISSIONS

EUT: Converter Repeater
 Manuf: 6K007
 Op Cond: LINE 2
 Operator: LIAO
 Test Spec: FOR EN55022 CLASS B
 Comment: 230V/50Hz
 XR01 1920x1080
 Result File: 6k00721c.dat :

Prescan Measurement: Detectors: X PK / + AV
 Meas Time: see scan settings
 Subranges: 16
 Acc Margin: 55 dB

Peak Search Results

Frequency MHz	PK Level dBµV	PK Limit dBµV	PK Delta dB
0.21	34.91	63.21	28.30
0.285	41.24	60.67	19.43
0.33	31.80	59.45	27.65
0.55	26.68	56.00	29.32
0.79	26.52	56.00	29.48
0.82	27.38	56.00	28.62
1.45	25.38	56.00	30.62
1.67	24.46	56.00	31.54
2.91	23.30	56.00	32.70
3.55	23.34	56.00	32.66
5.97	23.40	60.00	36.60
6.71	20.57	60.00	39.43
11.8	39.32	60.00	20.68
12.02	37.42	60.00	22.58
17.66	25.72	60.00	34.28
23.13	24.35	60.00	35.65

Frequency MHz	AV Level dBµV	AV Limit dBµV	AV Delta dB
0.19	21.76	54.04	32.28
0.285	28.83	50.67	21.84
0.365	16.08	48.61	32.53
0.595	15.97	46.00	30.03
0.72	18.17	46.00	27.83
1.15	16.95	46.00	29.05
1.18	16.99	46.00	29.01
1.67	14.86	46.00	31.14
2.86	13.74	46.00	32.26
3.55	12.91	46.00	33.09
5.19	12.06	50.00	37.94
6.86	10.21	50.00	39.79
11.62	29.76	50.00	20.24
12.1	28.63	50.00	21.37
18.42	16.47	50.00	33.53
23.13	20.27	50.00	29.73

* limit exceeded

RADIATED EMISSION TEST

1 TEST INSTRUMENTS & FACILITIES

The following test Instruments was used during the radiated emission test :

Item	Instruments /facilities	Specification	Manufacturer	Model # / S/N#	Date of Cal.
1	OPEN AREA TEST SITE	<input checked="" type="checkbox"/> OATS 3			JUL/2011
2	EMI TEST RECEIVER	20Hz ~ 26.5GHz	ROHDE & SCHWARZ	ESMI 845442/006	FEB/2011
3	PRE-AMPLIFIER	9KHz ~ 3000MHz	ADVANTEST	BB525C 90081001	OCT/2011
4	ANTENNA (BI-LOG)	25MHz ~ 2GHz	SCHAFFNER	CBL6112B S/N : 2611	JUN/2011
5	Attenuation	50Ω/6dB	JYE BAO	FAT-N (M-F) 001	JUL/2011
6	Ferrite Clamp	30 ~ 1000MHz	ADT	FC18 910030	DEC/2011
7	Ferrite Clamp	30 ~ 1000MHz	HomeTek	HFC 001	DEC/2011
8	Cable	10m	SUHNER	RG214/U OS3-003	DEC/2011
9	Cable	14m	BELDEN	9913 OS3-001	DEC/2011
10	EMI 32 (software)	N/A	AUDIX	19991013-0923	N/A

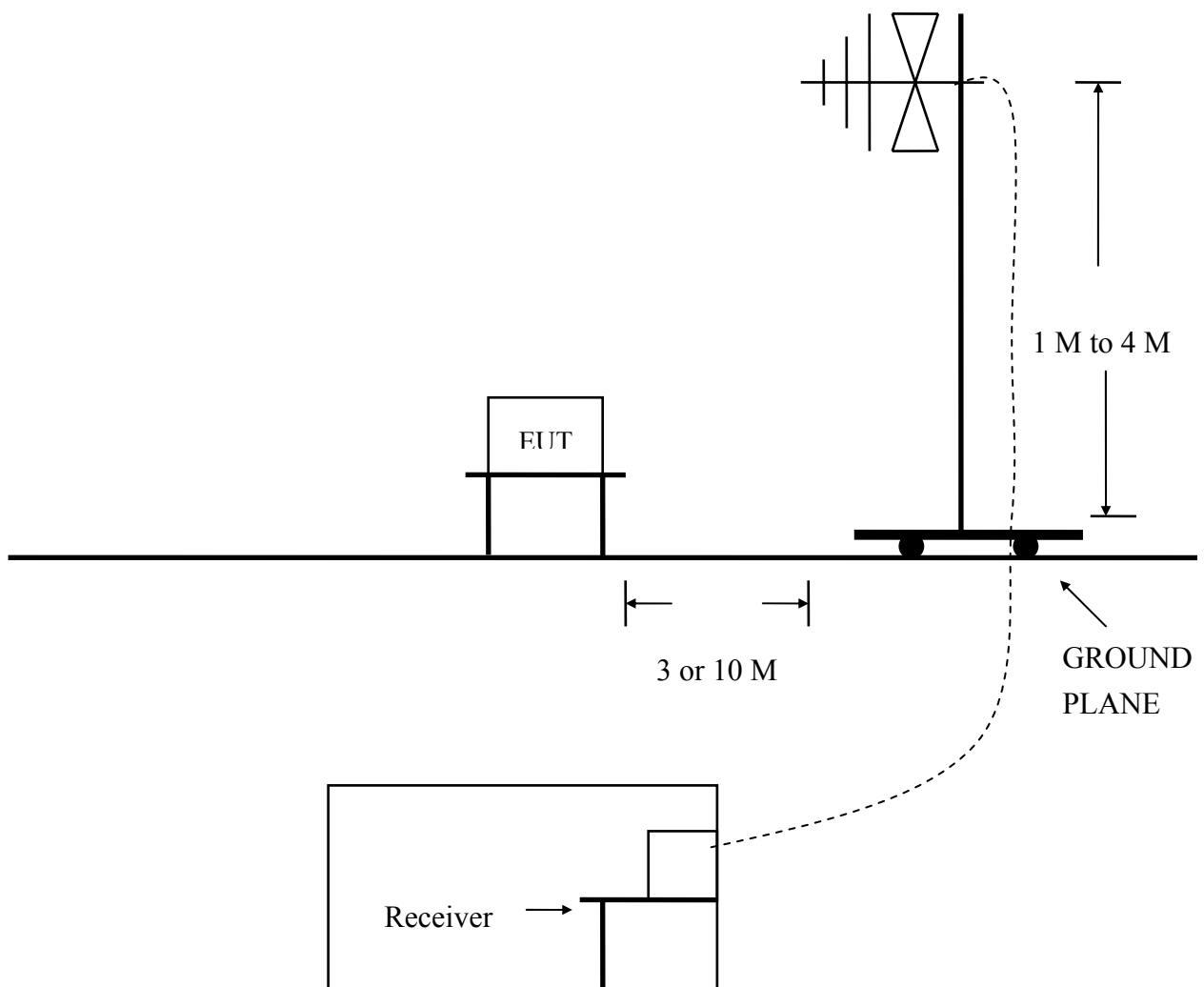
Note : Items 1 ~ 9 were calibrated within period of 1 year.

2 TEST PROCEDURE

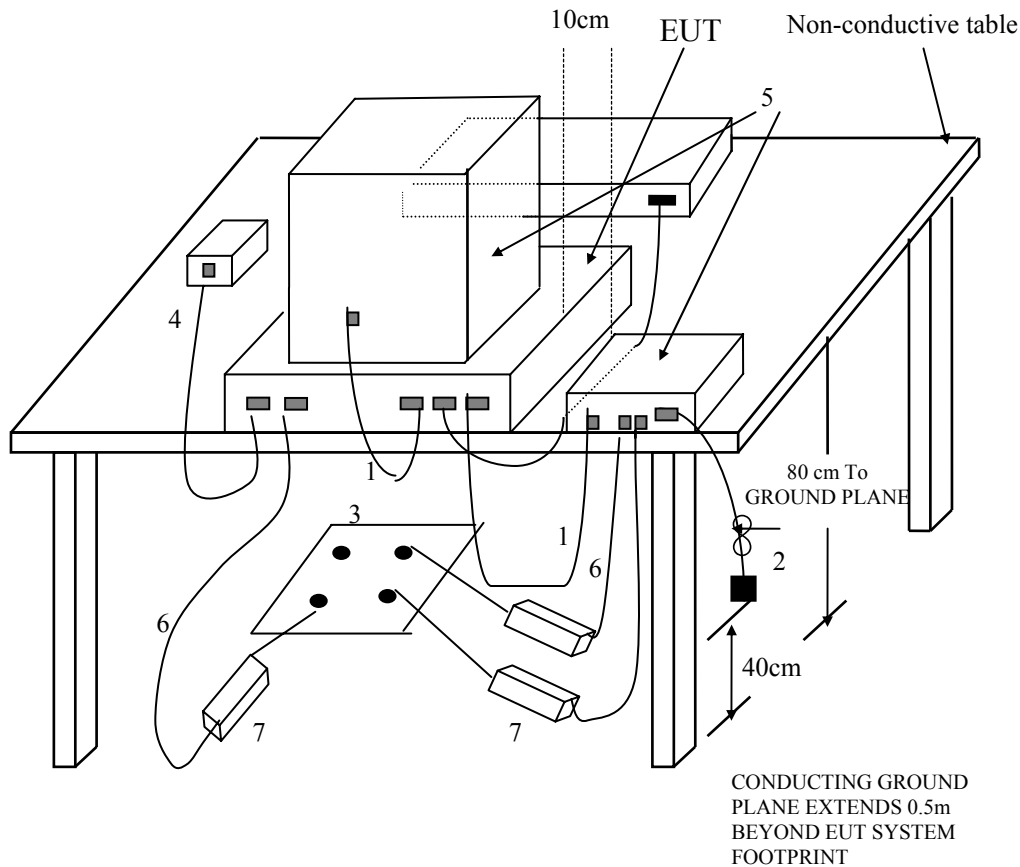
- 2.1 The EUT was test according to **EN55022**.
- 2.2 The radiated test was performed at HomeTek Lab's Open Site 3.
- 2.3 The frequency range from 30 MHz to 1 GHz, the measurement were made at 10 meters, with a BI-log antenna.

3 TEST SETUP

3.1 TEST SETUP OF OPEN SITE.



(Details for setup configuration, please refer to appendix A.)



(Details for setup configuration, please refer to appendix A.)

LEGEND:

- 1.If cables, which hang closer than 40 cm to the horizontal metal ground plane cannot be shortened to the appropriate length, the excess shall be folded back and forth forming a bundle 30 m to 40 cm long.
- 2.The end of I/O signal cables which are not connected to a peripheral may be terminated, if required for proper operation using correct terminating impedance.
- 3.Mains junction box(es) shall be flush with, and bonded directly to , the metal ground plane.
NOTE if used, the AMN shall be installed under the horizontal metal ground plane.
- 4.Cables of hand-operated devices such as keyboards, mice, etc. shall be placed as for normal usage.
- 5.Peripherals shall be placed at a distance of 10 cm from each other and from the controller, except for the monitor which, if for an acceptable installation practice, shall be placed directly on top of the controller.
- 6.Mains cables, telephone lines or other connections to auxiliary equipment located outside the test area shall drape to the floor, be fitted with ferrite clamps or ferrite tubes placed on the floor at the point where the cable reaches the floor and then routed to the place where they leave the turntable. No extension cords shall be used to mains receptacle.
- 7.Ferrite clamps or ferrite tubes with similar characteristics (as defined in 10.4). No more than one cable per clamp.

Test Configuration

Tabletop Equipment Radiated Measurement

4 CONFIGURATION OF THE EUT

Same as “Conducted Power Line test”, section 4

5 EUT OPERATING CONDITION

5.1 Same as “Conducted Power Line test”, section 5

5.2 The radiated emission in the frequency range from 30 MHz - 1000 MHz was test in a horizontal and vertical polarization at HomeTek Lab’s open site 3.

5.3 The photos of radiated test configuration, please refer to appendix A.

6 LIMIT OF RADIATED EMISSION CLASS B

Frequency (MHz)	Measurement Distance	Limit (dBuV/m)
30 - 230	10 (M)	30
230 - 1000	10 (M)	37

7 RESULT OF RADIATED EMISSION TEST

7.1 The frequency range from 30 MHz to 1 GHz was investigated.

7.2 All readings below or equal 1 _ GHz are quasi-peak or peak values with resolution bandwidth of 120 KHz.

7.3 The measurements were made at 10 meters of HomeTek Lab’s open site 3.

7.4 Temperature : 25 °C, Humidity : 54 % RH.

7.5 Deviation form the test standards and rules : None.

7.6 The radiated emission result were gained by the following method :

Level = Reading Level + Probe Factor (Antenna Factor) + Cable Loss – Preamp Factor

Over Limit = Level – Limit Line

7.7 Result : **PASSED**



8 RADIATED EMISSION TEST DATA (PAGE 1)

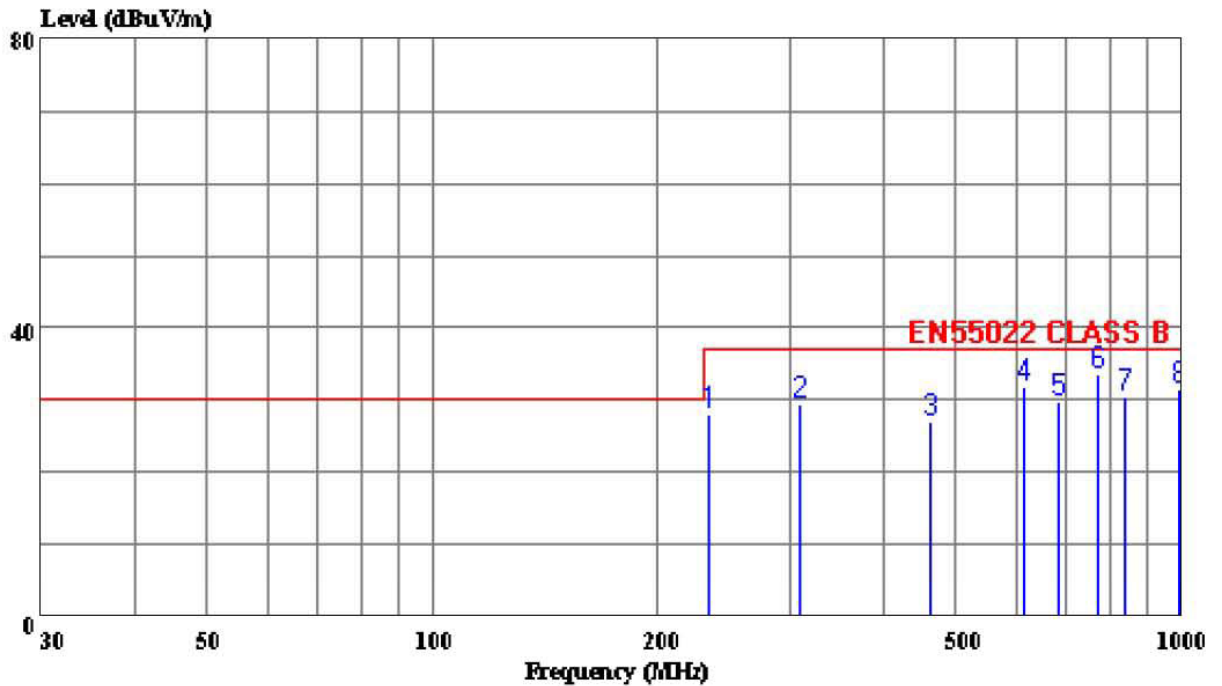


HomeTek Technology Inc.

No. 67-9, Shi-Men Rd., Tu-Chen City, Taipei County, Taiwan R.O.C.
Tel: 02-22608375
Fax: 02-22748013

Data#: 3 File#: 6K007.EMI

Date: 2012-11-13 Time: 10:25:28



Trace:

Ref Trace:

Condition: EN55022 CLASS B 10m CHASE 2611 070612 HORIZONTAL
eut : Converter Repeater
power: 230V/50Hz
memo : XR01(1920*1080)

Page: 1

	Freq	Level	Limit	Over	ReadAntenna	Cable	Preamp	Remark
	MHz	dBuV/m	dBuV/m	dB	dBuV	dB/m	dB	dB
1	233.816	28.04	37.00	-8.96	40.25	11.06	2.37	25.64 Peak
2	310.291	29.54	37.00	-7.46	38.59	13.59	2.83	25.47 Peak
3	462.291	27.05	37.00	-9.95	31.25	17.05	3.71	24.97 Peak
4	617.020	31.74	37.00	-5.26	31.52	18.87	5.75	24.40 Peak
5	682.369	29.82	37.00	-7.18	29.68	19.00	5.25	24.11 Peak
6	772.036	33.75	37.00	-3.25	32.52	19.98	5.09	23.85 Peak
7	840.291	30.53	37.00	-6.47	28.52	20.50	5.15	23.64 Peak
8	995.015	31.61	37.00	-5.39	28.52	21.58	4.66	23.15 Peak



9 RADIATED EMISSION TEST DATA (PAGE 2)

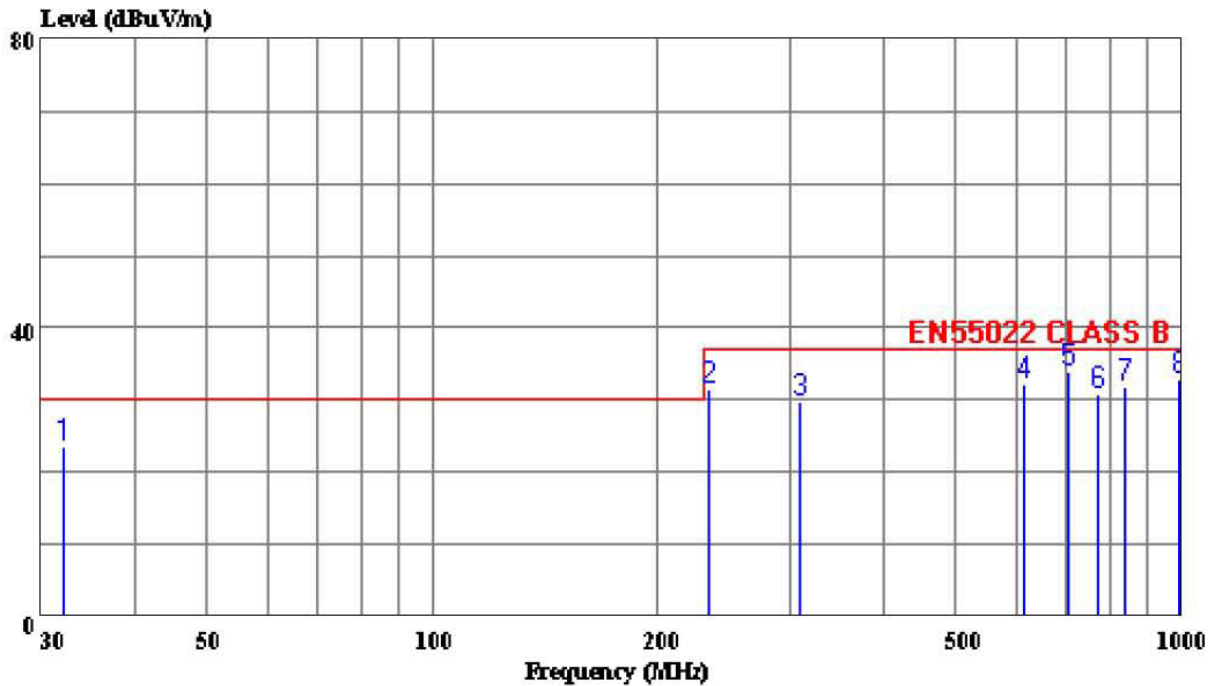


HomeTek Technology Inc.

No. 67-9, Shi-Men Rd., Tu-Chen City, Taipei County, Taiwan R.O.C.
Tel: 02-22608375
Fax: 02-22748013

Data#: 4 File#: 6K007.EMI

Date: 2012-11-13 Time: 11:29:27



Trace:

Ref Trace:

Condition: EN55022 CLASS B 10m CHASE 2611 070612 VERTICAL
eut : Converter Repeater
power: 230V/50Hz
memo : XR01(1920*1080)

Page: 1

	Freq	Level	Limit	Over	ReadAntenna	Cable	Preamp	Remark
	MHz	dBuV/m	dBuV/m	Limit	Level	Loss	Factor	
				dB	dBuV	dB	dB	
1	32.019	23.51	30.00	-6.49	30.00	18.87	26.01	Peak
2	233.911	31.38	37.00	-5.62	43.59	11.06	25.64	Peak
3	309.001	29.84	37.00	-7.16	38.92	13.56	25.47	Peak
4	615.209	32.05	37.00	-4.95	31.82	18.86	24.40	Peak
5	706.057	33.84	37.00	-3.16	33.59	19.14	24.02	Peak
6	772.581	30.85	37.00	-6.15	29.62	19.98	23.85	Peak
7	840.264	31.93	37.00	-5.07	29.92	20.50	23.64	Peak
8	995.012	33.04	37.00	-3.96	29.95	21.58	23.15	Peak

HARMONICS TEST

1 TEST INSTRUMENTS & FACILITIES

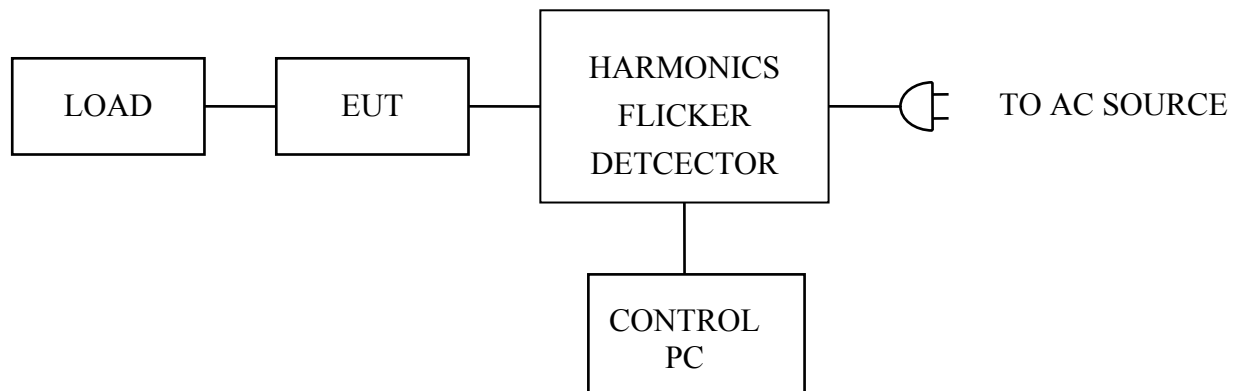
Instruments/ facilities	Manufacturer	Model # Serial #	Date of Cal.
HARMONICS/ VOLTAGE FLUCTUATIONS TEST	EMC-PARTNER	HAR1000-1P	NOV/2011
CONTROL PC	KB TECH	KB P586/133	N/A

Note : Item 1 were calibrated with two years and verified before testing.

2 TEST PROCEDURE

According to EN 61000-3-2 : 2006 + A1 (2009) + A2 (2009)

3 TEST SETUP



(Details for setup configuration, please refer to appendix A.)

4 CONFIGURATION OF THE EUT

Same as “Conducted Power Line test”, section 4

5 OPERATION CONDITION OF EUT

Same as “Conducted Power Line test”, section 5

6 TEST DATA & LIMIT

6.1 Temperature : 23 °C

6.2 Humidity : 51 % RH

7 Photos of test configuration please refer to appendix A.



8 HARMONICS TEST DATA (PAGE 1~2)

EMC PARTNER AG, SWITZERLAND

Date : 2012/11/12 下午 03:2 V4.15

Operator : JASON
Unit : Converter Repeater
Serialnumber : XR01
Remarks 6K007

Urms = 229.9V Freq = 49.987 Range: 0.25 A
Irms = 0.019A Ipk = 0.117A cf = 6.044
P = 1.890W S = 4.462VA pf = 0.423
THDi = 91.8 % THDu = 0.10 % Class A

Test - Time : 15min (100 %)

Test completed, Result: PASSED

Table with 7 columns: Order, Freq. [Hz], Iavg [A], Iavg%L [%], Imax [A], Imax%L [%], Limit, Status. Contains 25 rows of harmonic test data.



HomeTek Technology Inc.

26	13000.0000	0.0000	0.0002	0.2803	0.0708
27	13500.0000	0.0000	0.0035	4.2480	0.0833
28	14000.0000	0.0000	0.0002	0.3019	0.0657
29	14500.0000	0.0000	0.0032	4.1694	0.0776
30	15000.0000	0.0000	0.0002	0.2985	0.0613
31	15500.0000	0.0000	0.0029	4.0365	0.0726
32	16000.0000	0.0000	0.0002	0.2919	0.0575
33	16500.0000	0.0000	0.0026	3.8717	0.0682
34	17000.0000	0.0000	0.0002	0.3102	0.0541
35	17500.0000	0.0000	0.0023	3.6553	0.0643
36	18000.0000	0.0000	0.0002	0.2985	0.0511
37	18500.0000	0.0000	0.0021	3.3875	0.0608
38	19000.0000	0.0000	0.0001	0.2836	0.0484
39	19500.0000	0.0000	0.0018	3.1209	0.0577
40	20000.0000	0.0000	0.0001	0.2654	0.0460

VOLTAGE FLUCTUATIONS TEST

1 TEST INSTRUMENTS & FACILITIES

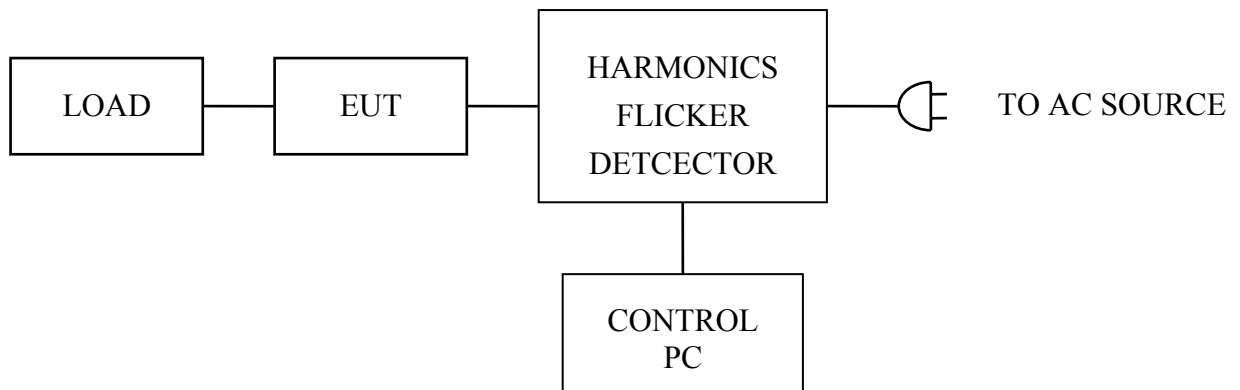
Instruments/ facilities	Manufacturer	Model # Serial #	Date of Cal.
HARMONICS/ VOLTAGE FLUCTUATIONS TEST	EMC-PARTNER	HAR1000-1P	NOV/2011
CONTROL PC	KB TECH	KB P586/133	N/A

Note : Item 1 were calibrated with two years and verified before testing.

2 TEST PROCEDURE

According to EN 61000-3-3 : 2008

3 TEST SETUP



(Details for setup configuration, please refer to appendix A.)

4 CONFIGURATION OF THE EUT

Same as “Conducted Power Line test”, section 4

5 OPERATION CONDITION OF EUT

Same as “Conducted Power Line test”, section 5

6 TEST DATA & LIMIT

6.1 Temperature : 23 °C

6.2 Humidity : 51 % RH

7 Photos of test configuration please refer to appendix A.



8 VOLTAGE FLUCTUATIONS TEST DATA (PAGE 1)

EMC PARTNER AG, SWITZERLAND

Date : 2012/11/12 下午 03:5 V4.15

Operator : JASON
 Unit : Converter Repeater
 Serialnumber : XR01
 Remarks : 6K007

Urms = 229.9V Freq = 49.987 Range: 0.25 A
 Irms = 0.019A Ipk = 0.117A cf = 6.167
 P = 1.890W S = 4.378VA pf = 0.432

Test - Time : 1 x 15min = 15min (100 %)

LIN (Line Impedance Network) : L: 0.24ohm +j0.15ohm N: 0.16ohm +j0.10ohm

Limits :Plt : 0.65Pst : 1.00
 dmax : 4.00 % dc : 3.30 %
 dtLim: 3.30 % dt>Lim: 500ms

Test completed, Result: PASSED

Plt = 0.072

Pst dmax
 [%]

1 0.072 0.000

ELECTROSTATIC DISCHARGE IMMUNITY TEST (ESD)

1 TEST INSTRUMENTS & FACILITIES

Instruments/ Facilities	Manufacturer	Model # Serial #	Data Of Cal.
ESD TESTER	HAEFELY	PESD 1610	NOV/2011
VCP	HOMETEK	--	--

2 TEST PROCEDURE

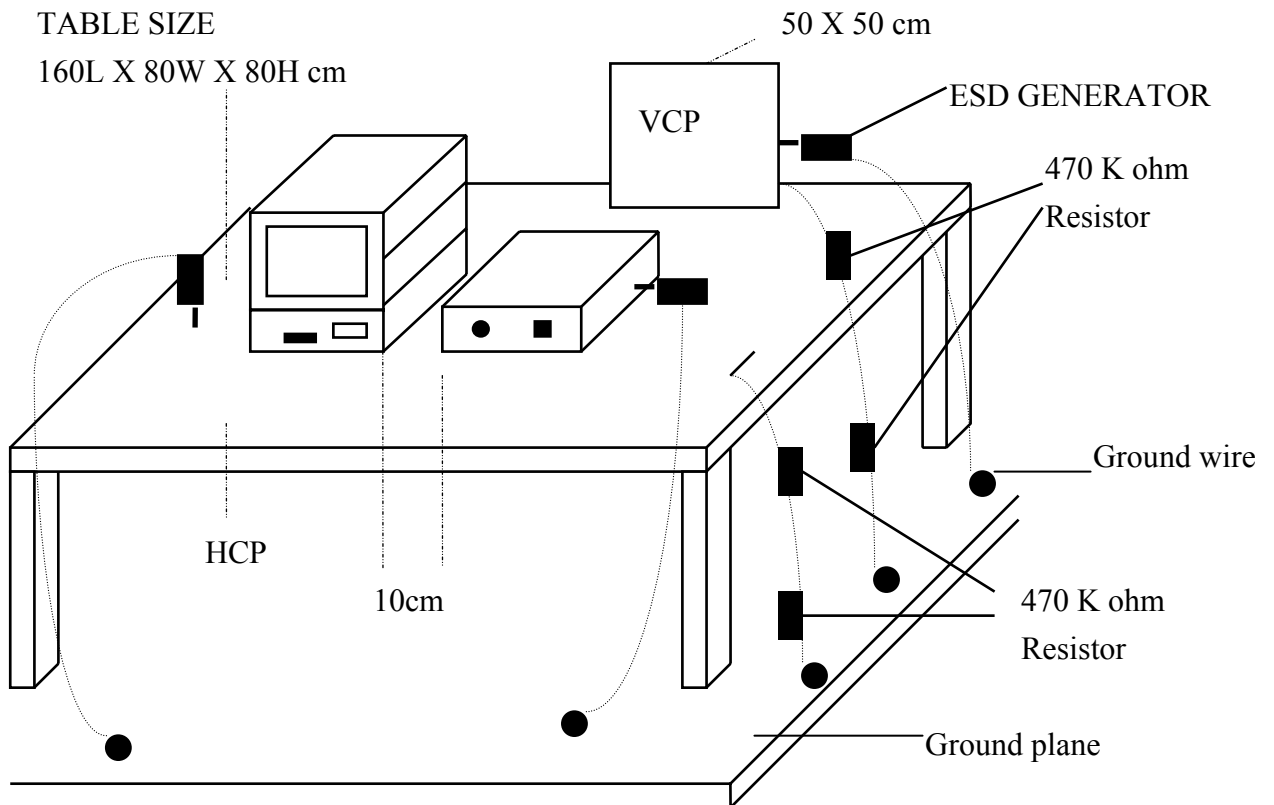
According to **IEC 61000-4-2 :2008**

According to **EN 55024 : 2010**

3 TEST SETUP

TABLE SIZE

160L X 80W X 80H cm



(Details for setup configuration, please refer to appendix A.)

4 CONFIGURATION OF THE EUT

Same as “Conducted Power Line test”, section 4

5 EUT OPERATION CONDITION

Same as “Conducted Power Line test”, section 5

6 TEST CONDITION

6.1 Test Level :

(A) ± 2 , ± 4 , ± 8 KV for air discharge.

(B) ± 2 , ± 4 KV for contact discharge.

6.2 Number of test : 10 Discharges / Test point / Polarity / Level

Particular requirements : at least 200 discharges, 100 each at negative and positive polarity, at a minimum of four test points.

6.3 Time between test : 1 sec.

6.4 Temperature : 22 °C

6.5 Humidity : 56 % RH.

7 PERFORMANCE CRITERIA

- A. The apparatus shall continue to operate as intended during and after the test. No degradation of performance or loss of function is allowed below a performance level specified by the manufacturer, when the apparatus is used as intended.
- B. The apparatus shall continue to operate as intended after the test. No degradation of performance or loss of function is allowed below a performance level specified by the manufacturer, when the apparatus is used as intended. The performance level may be replaced by a permissible loss of performance. During the test, degradation of performance is however allowed.
- C. Temporary loss of function is allowed, provided the function is self-recoverable or can be restored by the operation of the controls.

8 TEST RESULT

Test Point	Air Discharge	Contact Discharge	Performance Criteria	Result
HCP	---	$\pm 2, \pm 4KV$	B	PASSED
VCP	---	$\pm 2, \pm 4KV$	B	PASSED
CASE	$\pm 2, \pm 4, \pm 8KV$	$\pm 2, \pm 4KV$	B	PASSED
I/O PORTS	$\pm 2, \pm 4, \pm 8KV$	$\pm 2, \pm 4KV$	B	PASSED
LED	$\pm 2, \pm 4, \pm 8KV$	$\pm 2, \pm 4KV$	B	PASSED
SCREWS	$\pm 2, \pm 4, \pm 8KV$	$\pm 2, \pm 4KV$	B	PASSED
DC SOCKET	$\pm 2, \pm 4, \pm 8KV$	$\pm 2, \pm 4KV$	B	PASSED

※ The screen was flash during the test, After the test, EUT resume automatically.

9 Photos of test configuration please refer to appendix A.

RADIO FREQUENCY ELECTROMAGNETIC FIELD IMMUNITY TEST (RS)

1 TEST INSTRUMENTS & FACILITIES

Item	Instruments Facilities	Manufacturer	Model # Serial #	Data Of Cal.
1	SIGNAL GENERATOR	ROHDE & SCHWARZ	SMY02 845181/025	MAR/2011
2	AMPLIFIER	AMPLIFIER RESEARCH	100W1000M1A	N/A
3	FIELD SENSOR	AMPLIFIER RESEARCH	FP2000	AUG/2011
4	FIELD MONITOR	AMPLIFIER RESEARCH	FM2000	AUG/2011
5	RF VOLTMETER	BOONTON	9200C 361701AA	MAR/2011
6	RF PROBE	BOONTON	952001B 37082	MAR/2011
7	DIRECTION COUPLER	AMPLIFIER RESEARCH	DC6180 20521	N/A
8	ANTENNA	EMCO	3142B S/N: 1789	N/A
9	CONTROL PC	KB TECH	KB P586/133	--

Note : Items 3 ~ 4 were calibrated with two years and verified before testing.

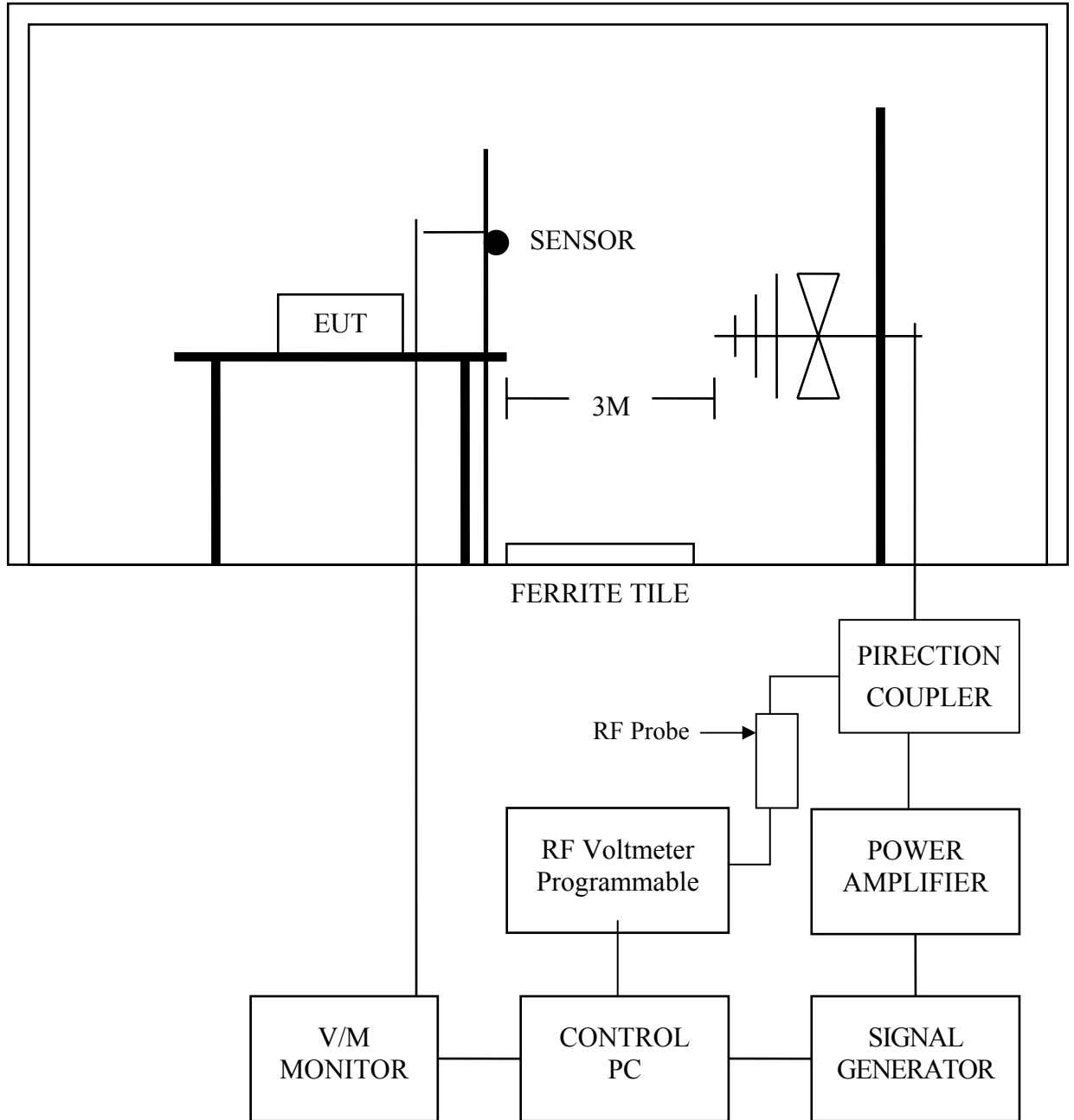
2 TEST PROCEDURE

According to **IEC 61000-4-3 :2006 + A1 (2007) + A2 (2010)**

According to **EN 55024 : 2010**

3 TEST SETUP

FERRITE TILE



3.1 Chamber Size :

12M x 5M x 5M

(Details for setup configuration, please refer to appendix A.)

4 CONFIGURATION OF THE EUT

Same as “Conducted Power Line test”, section 4

5 OPERATION CONDITION OF EUT

Same as “Conducted Power Line test”, section 5

6 TEST CONDITION

6.1 Frequency Range : 80 MHz ~ 1000 MHz

(Frequency Range : 1.4 GHz ~ 2.0 GHz is not applicable for EN55024:1998+A1:2001+A2:2003)

6.2 Filed Strength : 3 V / M (1KHz 80% Modulation)

6.3 Frequency Step : 1 %, 3 sec. / each step size

6.4 Antenna Polarity : HORIZONTAL & VERTICAL

6.5 The four sides of EUT are tested
(FRONT, REAR, RIGHT, LEFT)

6.6 Temperature : 22 °C

6.7 Humidity : 62 % RH

7 PERFORMANCE CRITERIA

- A. The apparatus shall continue to operate as intended during and after the test. No degradation of performance or loss of function is allowed below a performance level specified by the manufacturer, when the apparatus is used as intended.
- B. The apparatus shall continue to operate as intended after the test. No degradation of performance or loss of function is allowed below a performance level specified by the manufacturer, when the apparatus is used as intended. The performance level may be replaced by a permissible loss of performance. During the test, degradation of performance is however allowed.
- C. Temporary loss of function is allowed, provided the function is self-recoverable or can be restored by the operation of the controls.

8 TEST RESULT

ANT SIDE	HORIZONTAL	VERTICAL	RESULT
FRONT	A	A	PASSED
REAR	A	A	PASSED
RIGHT	A	A	PASSED
LEFT	A	A	PASSED

9 Photos of test configuration please refer to appendix A.

ELECTRICAL FAST TRANSIENT/BURST IMMUNITY TEST (EFT)

1 TEST INSTRUMENTS & FACILITIES

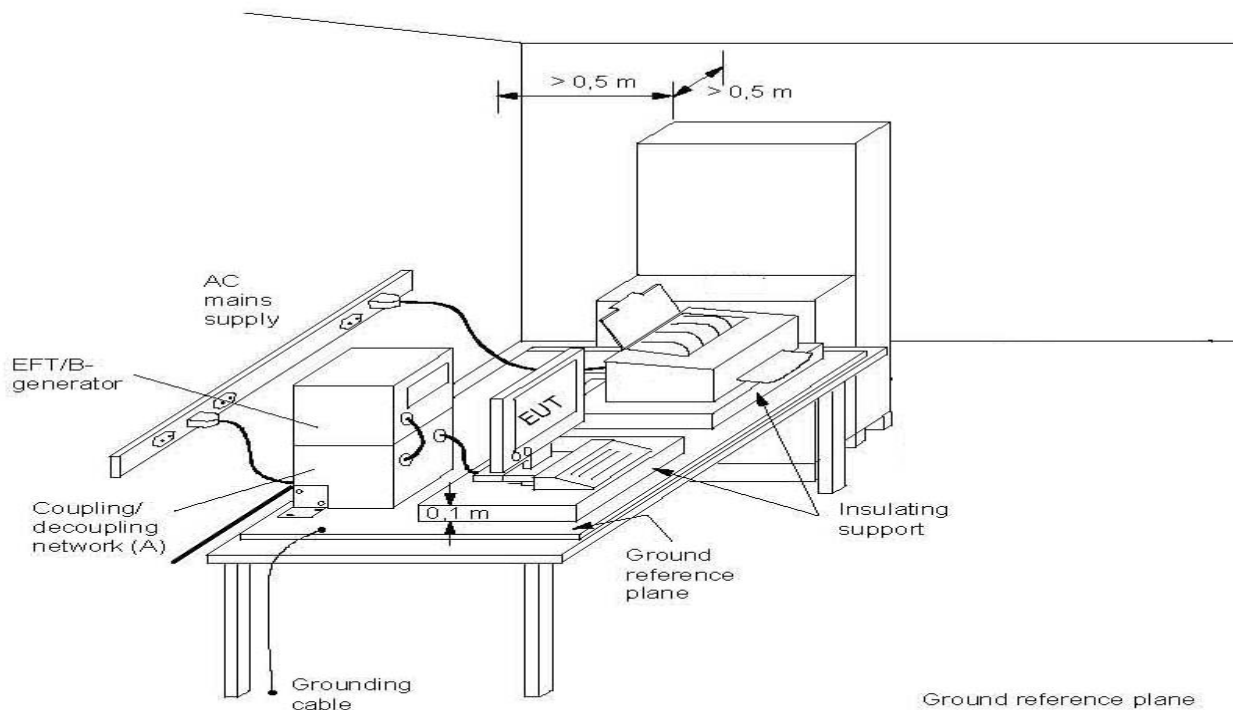
Instruments/ Facilities	Manufacturer	Model # Serial #	Data Of Cal.
BURST-TESTER	HAEFELY	PEFT/JUNIOR	FEB/2011
CONTROL PC	KB TECH	KB P586/133	--

2 TEST PROCEDURE

According to **IEC 61000-4-4 :2004 + A1 (2010)**

According to **EN 55024 : 2010**

3 TEST SETUP



(Details for setup configuration, please refer to appendix A.)

Note: length between clamp and the EUT to be tested (should be $0.5 \text{ m} \pm 0.05 \text{ m}$)

- (A) location for supply line coupling
- (B) location for signal line coupling

4 CONFIGURATION OF THE EUT

Same as “Conducted Power Line test”, section 4

5 OPERATION CONDITION OF EUT

Same as “Conducted Power Line test”, section 5

6 TEST CONDITION

6.1 Pulse Rise time & Duration : 5 nS / 50 nS

6.2 Pulse Repetition : 5 kHz

6.3 Polarity : POSITIVE / NEGATIVE

6.4 Test Voltage : $\pm 0.5\text{KV}$, $\pm 1\text{KV}$

6.5 Coupling of power line :
L, N, L+N

6.6 Temperature : 23 °C

6.7 Humidity : 51 % RH

7 PERFORMANCE CRITERIA

- A. The apparatus shall continue to operate as intended during and after the test. No degradation of performance or loss of function is allowed below a performance level specified by the manufacturer, when the apparatus is used as intended.
- B. The apparatus shall continue to operate as intended after the test. No degradation of performance or loss of function is allowed below a performance level specified by the manufacturer, when the apparatus is used as intended. The performance level may be replaced by a permissible loss of performance. During the test, degradation of performance is however allowed.
- C. Temporary loss of function is allowed, provided the function is self-recoverable or can be restored by the operation of the controls.

8 TEST RESULT

TEST VOLTAGE	L	N	L+N
±0.5KV	A	A A	
±1KV	A	A A	

8.1 Model : XR01

8.2 Test Mode : 1920 x 1080 Mode

8.3 Final Result : PASSED

8.4 Remark :

9 Photos of test configuration please refer to appendix A.

SURGE IMMUNITY TEST

1 TEST INSTRUMENTS & FACILITIES

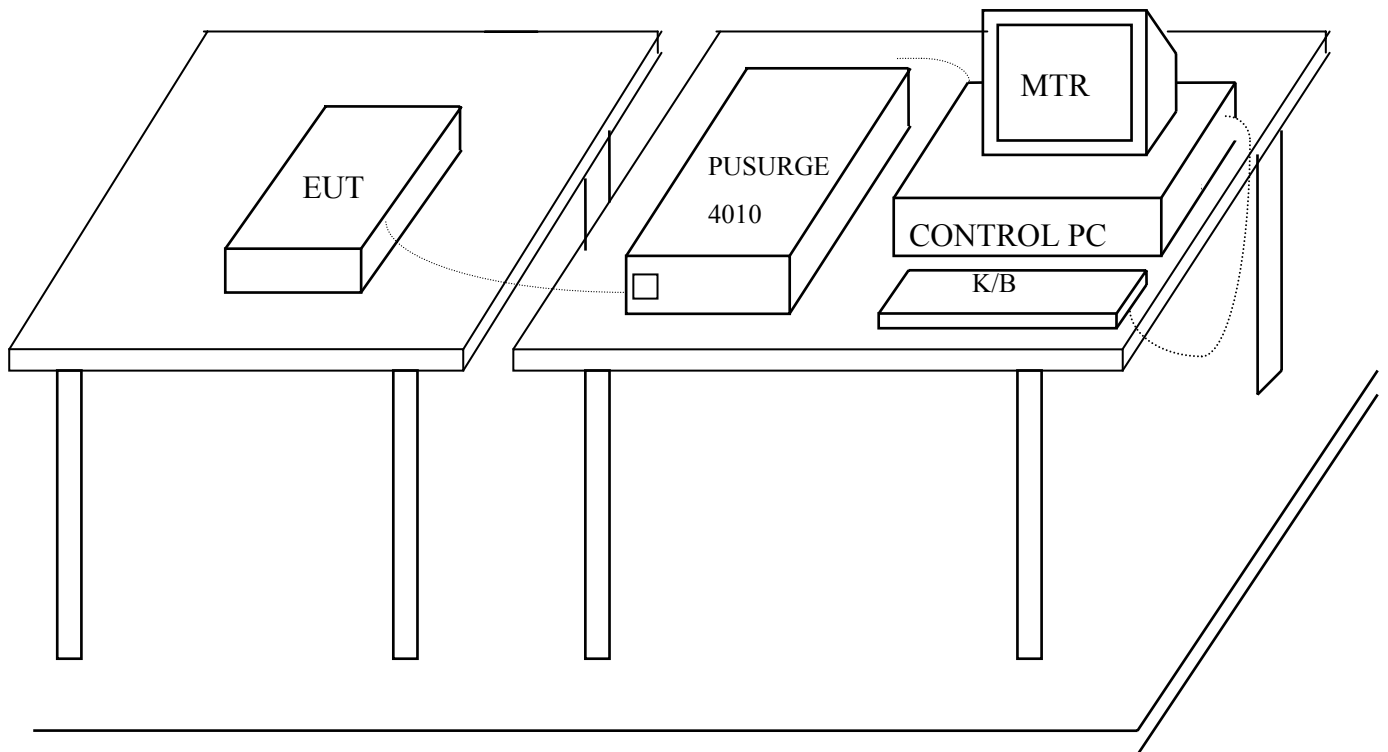
Instruments/ Facilities	Manufacturer	Model # Serial #	Data Of Cal.
SURGER-TESTER	HAEFELY	PSURGE 4010 583334-38	FEB/2011
CONTROL PC	KB TECH	KB P586/133	--

2 TEST PROCEDURE

According To **IEC 61000-4-5 : 2005**

According To **EN 55024 :2010**

3 TEST SETUP



GROUND PLANE
(Details for setup configuration, please refer to appendix A.)

4 TEST LEVELS

- Input and Output AC Power Ports.
- DC Input and DC Output Power Ports.

Environmental Phenomena	Test Specification		Units	Performance Criteria
	AC	DC		
Surges	1.2 / 50 (8/20)		Tr /Th us	
Line to Line	±1	±0.5	KV (Charge Voltage)	B

5 CONFIGURATION OF THE EUT

Same as “Conducted Power Line test”, section 4

6 EUT OPERATION CONDITION

Same as “Conducted Power Line test”, section 5

7 CONDITIONS DURING TESTING

7.1 Coupling of power line :

(A) Line to Line ±1KV (AC) or ±0.5KV (DC)

7.2 Polarity : POSITIVE / NEGATIVE

7.3 Phase shifting in a range between 0° to 360°

7.4 Repletion rate at least 1 per min

7.5 Temperature : 23 °C (15°C ~ 35°C)

Humidity : 58 % RH.(10 % ~ 75%)

8 PERFORMANCE CRITERIA

- A. The apparatus shall continue to operate as intended during and after the test. No degradation of performance or loss of function is allowed below a performance level specified by the manufacturer, when the apparatus is used as intended.
- B. The apparatus shall continue to operate as intended after the test. No degradation of performance or loss of function is allowed below a performance level specified by the manufacturer, when the apparatus is used as intended. The performance level may be replaced by a permissible loss of performance. During the test, degradation of performance is however allowed.
- C. Temporary loss of function is allowed, provided the function is self-recoverable or can be restored by the operation of the controls.

9 TEST RESULT

Environmental Phenomena	Test Specification	Units	Performance
Line to Line	±1	KV (Charge Voltage)	A

9.1 Model : XR01

9.2 Test Mode : 1920 x 1080 Mode

9.3 Final Result : PASSED

9.4 Remark :

10 Photos of test configuration please refer to appendix A.

IMMUNITY TEST TO CS CONDUCTED DISTURBANCE

1 TEST INSTRUMENTS & FACILITIES

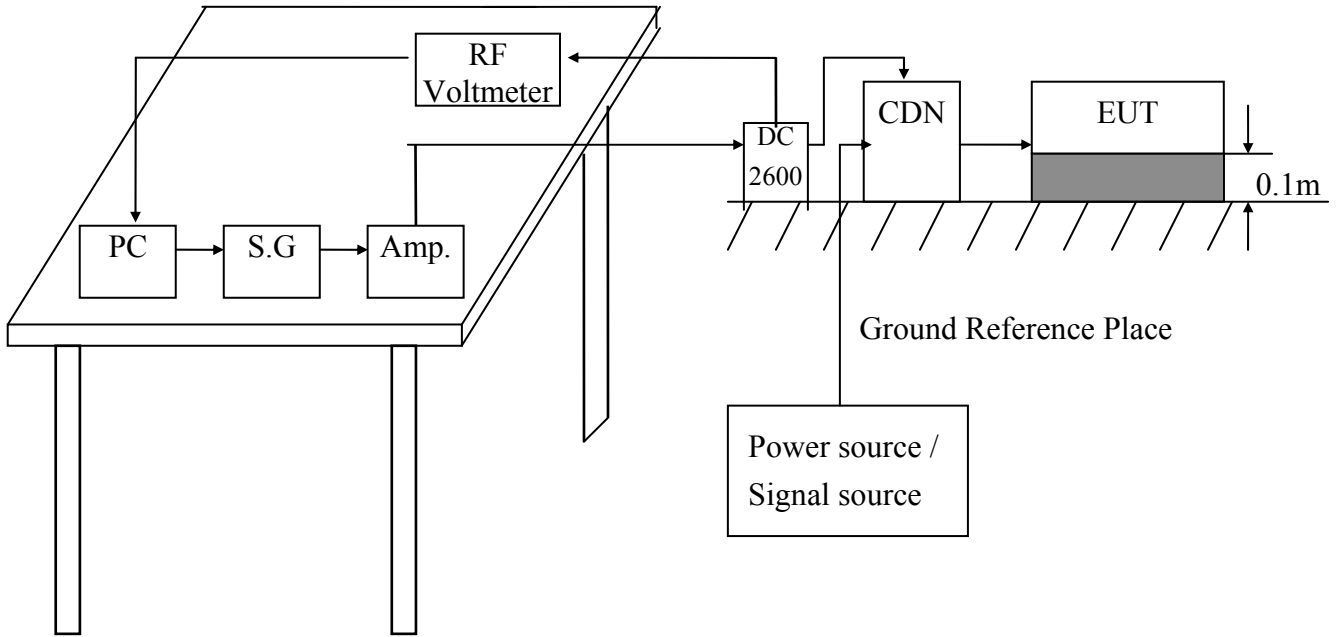
Instruments/ Facilities	Manufacturer	Model # Serial #	Date Of Cal.
SIGNAL GENERATOR	ROHDE & SCHWARZ	SMY02 845181/025	MAR/2011
AMPLIFIER	AMPLIFIER RESEARCH	75A250 25680	N/A
RF VOLTMETER	BOONTON	9200C 361701AA	MAR/2011
RF PROBE	BOONTON	952001B 37082	MAR/2011
DIRECTION COUPLER	AMPLIFIER RESEARCH	DC2600 20508	N/A
COUPLING DECOUPLING NETWORK	FCC	FCC-801-M3-25A 9993	FEB/2011
CONTROL PC	KB TECH	KB P586/133	--

2 TEST PROCEDURE

According To **IEC 61000-4-6 : 2008**

According To **EN 55024 : 2010**

3 TEST SETUP



(Details for setup configuration, please refer to appendix A.)

4 TEST LEVELS

- Ports for signal lines and control lines.
- DC input and DC output power ports.
- Input and Output AC Power Ports.
- Functional earth Ports.

Environmental	Test Specification	Units	Performance
Radio-frequency	0.15 - 80	MHz	
Common mode	3	V	A
	80	% AM (1KHz)	

5 CONFIGURATION OF THE EUT

Same as “Conducted Power Line test”, section 4

6 EUT OPERATION CONDITION

Same as “Conducted Power Line test”, section 5

7 CONDITIONS DURING TESTING

7.1 The EUT tested type :

- Single unit
- Multiple unit

7.2 Dwell time : < 1%

7.3 Temperature : 23 °C (15°C ~ 35°C)

Humidity : 58 % RH.(10 % ~ 75%)

8 PERFORMANCE CRITERIA

- A. The apparatus shall continue to operate as intended during and after the test. No degradation of performance or loss of function is allowed below a performance level specified by the manufacturer, when the apparatus is used as intended.
- B. The apparatus shall continue to operate as intended after the test. No degradation of performance or loss of function is allowed below a performance level specified by the manufacturer, when the apparatus is used as intended. The performance level may be replaced by a permissible loss of performance. During the test, degradation of performance is however allowed.
- C. Temporary loss of function is allowed, provided the function is self-recoverable or can be restored by the operation of the controls.

9 TEST RESULT

TEST Specification	Unit	Performance Criteria
0.15 - 80	MHz	A
3	V	
80	% AM (1KHz)	

9.1 Model : XR01

9.2 Test Mode : 1920 x 1080 Mode

9.3 Final Result : PASSED

9.4 Remark :

10 Photos of test configuration please refer to appendix A.

POWER FREQUENCY MAGNETIC FIELD IMMUNITY TEST

1 TEST INSTRUMENTS & FACILITIES

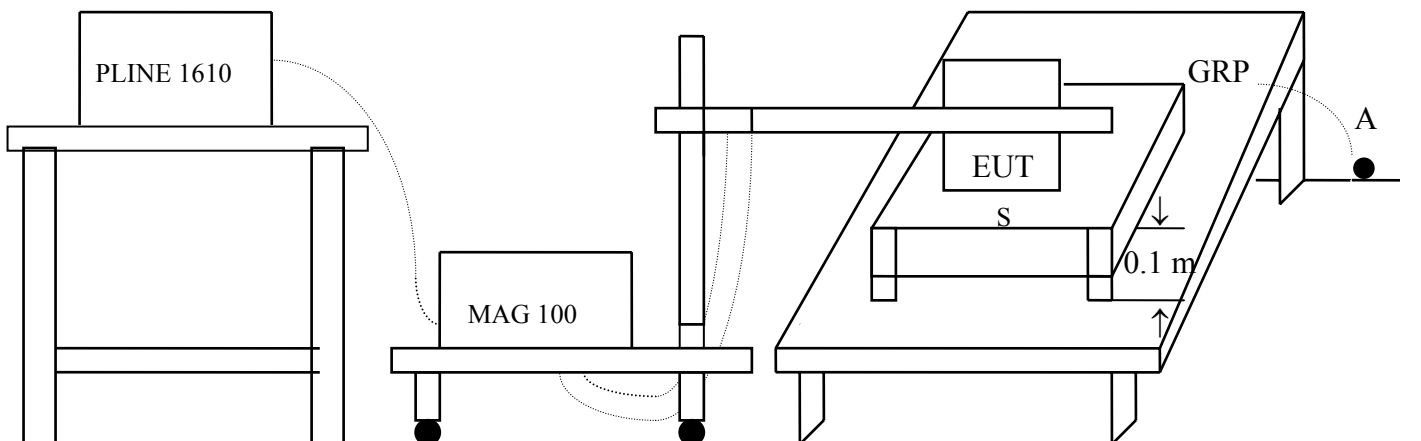
Instruments/ Facilities	Manufacturer	Model # Serial #	Data Of Cal.
LINE INTERFERENCE TESTER	HAEFELY	PLINE 1610 080166-10	FEB/2011
MAGNETIC FIELD TESTER	HAEFELY	MAG 100.1 080206-01	N/A
TRIAXIAL ELF MAGNETIC FIELD METER	F.W.BELL	4080 9645	AUG/2011
CONTROL PC	KB TECH	KB P586/133	--

2 TEST STANDARD

According To **IEC 61000-4-8 (2009)**

According To **EN 55024 : 2010**

3 TEST SETUP



S: Insulating support

A: Safety earth

GRP: Ground plane

(Details for setup configuration, please refer to appendix A.)

4 TEST LEVELS

Environmental Phenomena	Test Specification	Units	Performance Criteria
Power Frequency	50	HZ	
Magnetic Field	1	A/m	B

5 CONFIGURATION OF THE EUT

Same as “Conducted Power Line test”, section 4

6 OPERATION CONDITION OF EUT

Same as “Conducted Power Line test”, section 5

7 CONDITIONS DURING TESTING

7.1 Temperature : 23 °C (15°C ~ 35°C)
 Humidity : 58 % RH.(25 % ~ 75%)

7.2 The induction coil shall be rotated by 90°

8 PERFORMANCE CRITERIA

- A. The apparatus shall continue to operate as intended during and after the test. No degradation of performance or loss of function is allowed below a performance level specified by the manufacturer, when the apparatus is used as intended.
- B. The apparatus shall continue to operate as intended after the test. No degradation of performance or loss of function is allowed below a performance level specified by the manufacturer, when the apparatus is used as intended. The performance level may be replaced by a permissible loss of performance. During the test, degradation of performance is however allowed.
- C. Temporary loss of function is allowed, provided the function is self-recoverable or can be restored by the operation of the controls.

9 TEST RESULTS

Environmental Phenomena	Test Specification	Units	Performance Criteria
Magnetic Field	1	A/m	A

9.1 Model : XR01

9.2 Test Mode : 1920 x 1080 Mode

9.3 Final Results : PASSED

9.4 Remark :

10 Photos of test configuration please refer to appendix A.

VOLTAGE DIPS, SHORT INTERRUPTIONS IMMUNITY TEST

1 TEST INSTRUMENTS & FACILITIES

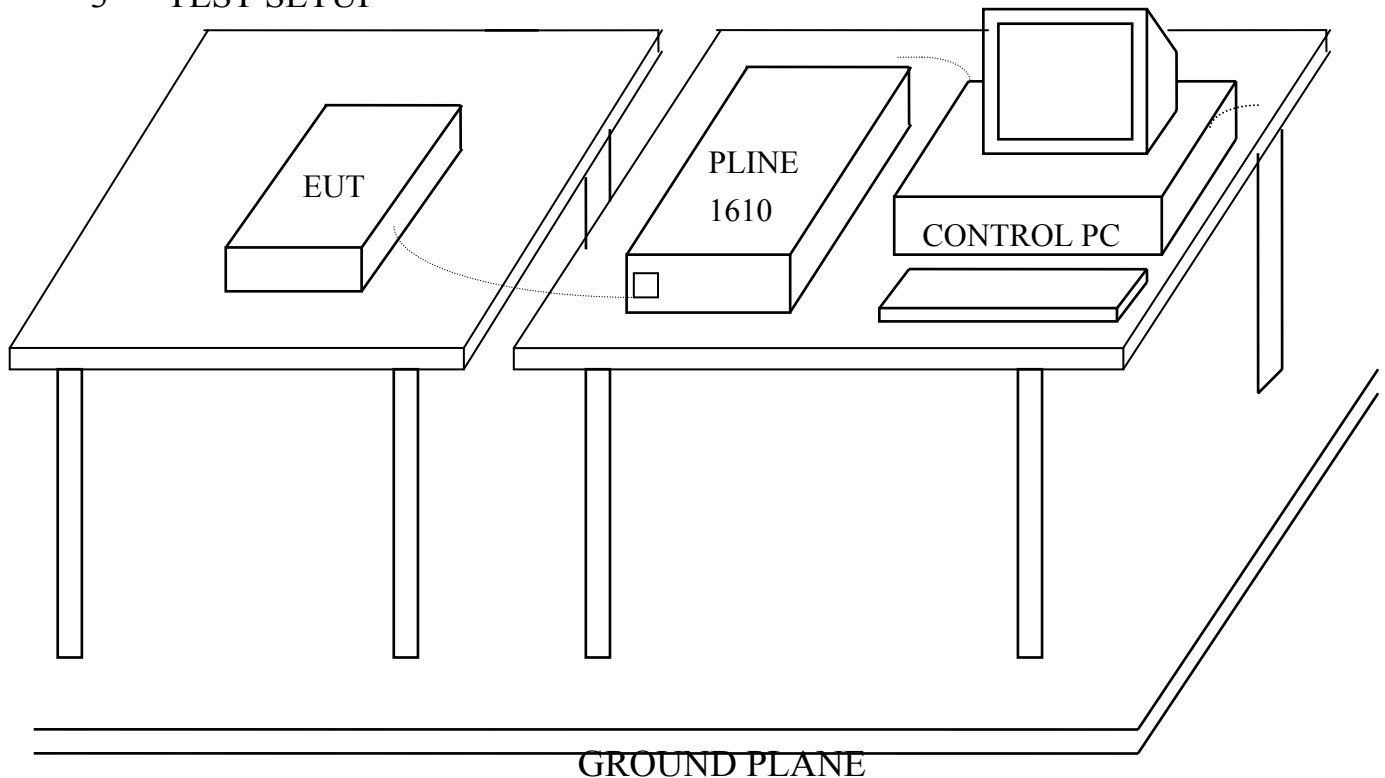
Instruments/ Facilities	Manufacturer	Model # Serial #	Data Of Cal.
LINE INTERFERENCE -TESTER	HAEFELY	PLINE 1610 080166-10	FEB/2011
CONTROL PC	KB TECH	KB P586/133	--

2 TEST PROCEDURE

According To **IEC 61000-4-11 (2004)**

According To **EN 55024 : 2010**

3 TEST SETUP



(Details for setup configuration, please refer to appendix A.)

4 TEST LEVELS

Input and Output AC Power Ports.

- Voltage Dips.
- Voltage Interruptions.

Class ^a	Test level and durations for voltage dips				
Class 1	Case-by-case according to the equipment requirements				
Class 2	0 % during 1/2 cycle	0 % during 1 cycle	70 % during 25/30 ^c cycles		
Class 3	0 % during 1/2 cycle	0 % during 1 cycle	40 % during 10/12 ^c cycles	70 % during 25/30 ^c cycles	80 % during 250/300 ^c cycles
a: Classes as per IEC 61000-2-4. b: To be defined by product committee. For equipment connected directly or indirectly to the public network, the levels must not be less severe than Class 2. c: “25/30 cycles” means “25 cycles for 50 Hz test” and “30 cycles for 60 Hz tet”.					

Class ^a	Test level and durations for short interruptions (t _s) (50Hz / 60Hz)
Class 1	Case-by-case according to the equipment requirements
Class 2	0 % during 250/300 ^c cycles
Class 3	0 % during 250/300 ^c cycles
Class X ^b	X
a: Classes as per IEC 61000-2-4. b: To be defined by product committee. For equipment connected directly or indirectly to the public network, the levels must not be less severe than Class 2. c: “250/300 cycles” means “250 cycles for 50 Hz test” and “300 cycles for 60 Hz test”.	

※ According to the specification of EUT, Class 2 is applied.

5 CONFIGURATION OF THE EUT

Same as “Conducted Power Line test”, section 4

6 EUT OPERATION CONDITION

Same as “Conducted Power Line test”, section 5

7 CONDITIONS DURING TESTING

7.1 Temperature : 23 °C (15°C ~ 35°C)

Humidity : 58 % RH.(25 % ~ 75%)

8 PERFORMANCE CRITERIA

- A. The apparatus shall continue to operate as intended during and after the test. No degradation of performance or loss of function is allowed below a performance level specified by the manufacturer, when the apparatus is used as intended.
- B. The apparatus shall continue to operate as intended after the test. No degradation of performance or loss of function is allowed below a performance level specified by the manufacturer, when the apparatus is used as intended. The performance level may be replaced by a permissible loss of performance. During the test, degradation of performance is however allowed.
- C. Temporary loss of function is allowed, provided the function is self-recoverable or can be restored by the operation of the controls.

9 TEST RESULT

Environmental Phenomena	Test Specification	Units	Perform Criteria
Voltage Dips	0 1/2	% during Cycle	A
	0 1	% during Cycle	C
	70 25	% during Cycles	C
Voltage Short Interruptions	0	% during	C
	250	Cycles	

9.1 Model : XR01

9.2 Test Mode : 1920 x 1080 Mode

9.3 Final Results : PASSED

9.4 Remark :

10 Photos of test configuration please refer to appendix A.



HomeTek Technology Inc.

Appendix A

PHOTOS OF TEST CONFIGURATION

PHOTO OF CONDUCTED POWER LINE TEST

Test Mode : 1920*1080 Mode



Front View



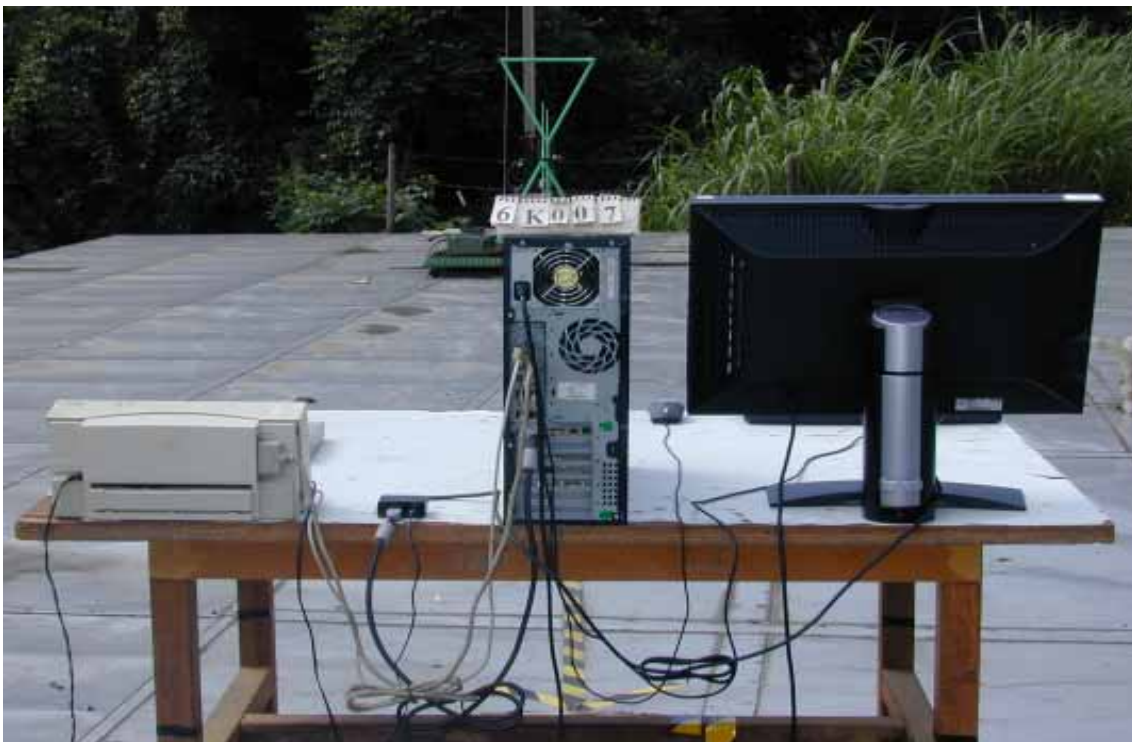
Rear View

PHOTO OF RADIATED EMISSION TEST

Test Mode : 1920*1080 Mode



Front View



Rear View

**PHOTO OF HARMONICS & VOLTAGE FLUCTUATIONS TEST
AND SURGE IMMUNITY TEST AND VOLTAGE DIPS, SHORT
INTERRUPTIONS IMMUNITY TEST**

Test Mode : 1920*1080 Mode



**PHOTO OF ELECTRICAL FAST TRANSIENT/BURST IMMUNITY
TEST**



PHOTO OF ELECTROSTATIC DISCHARGE IMMUNITY TEST (ESD)

Test Mode : 1920*1080 Mode



PHOTO OF POWER FREQUENCY MAGNETIC FIELD IMMUNITY TEST



PHOTO OF RADIO FREQUENCY ELECTROMAGNETIC FIELD IMMUNITY TEST (RS)

Test Mode : 1920*1080 Mode



PHOTO OF CS CONDUCTED DISTURBANCE IMMUNITY TEST





HomeTek Technology Inc.

Appendix B

PHOTOS OF EUT

PHOTO OF EUT



Front View of EUT



Rear View of EUT

PHOTO OF EUT



Inside View of EUT

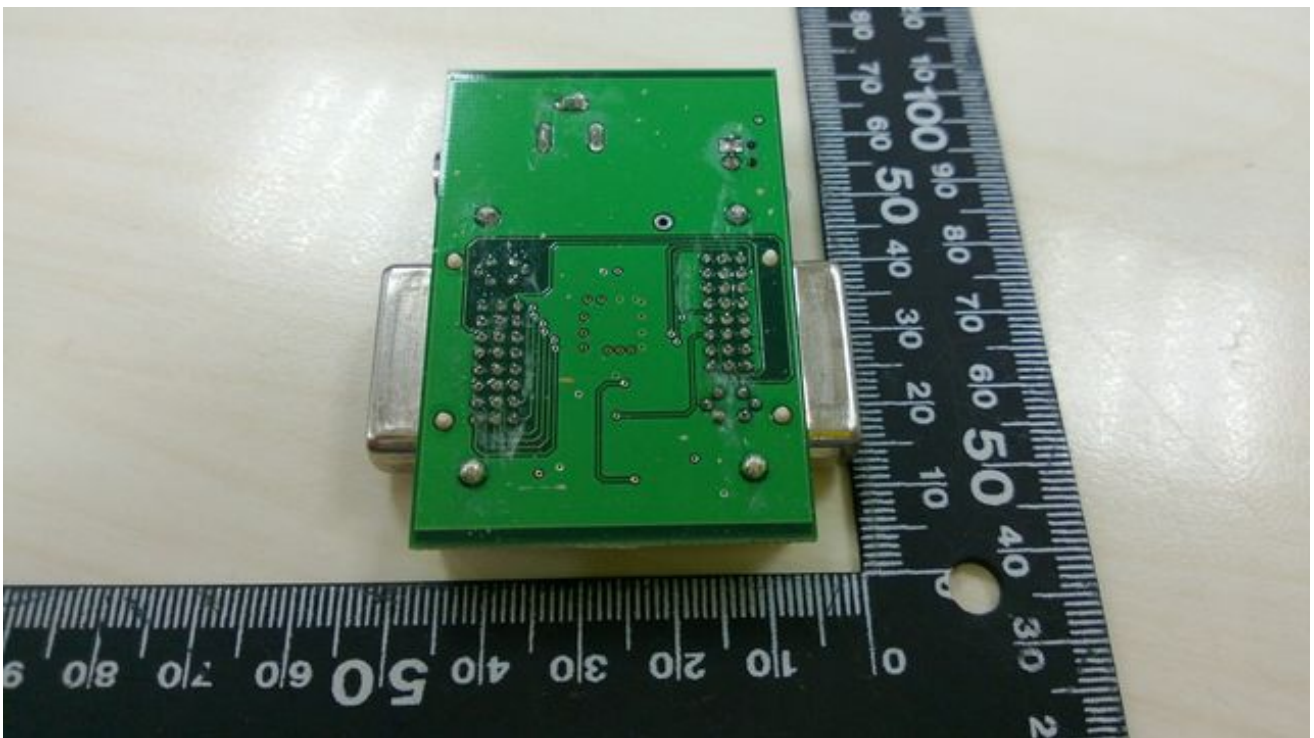


Case Inside View of EUT

PHOTO OF EUT



Component Side of Main Board



Solder Side of Main Board

PHOTO OF EUT



Front View of Adaptor



Rear View of Adaptor

Declaration of Conformity

We(Manufacturer/Importer)

(company name)

(address)

declares under our sole responsibility that the product

Product name : Converter Repeater

Model No. : XR0XX

to which this declaration relates is in conformity with the following standard(s) or other normative document(s)

EN 55022 Class B: 2010	EN 55024 : 2010
EN 61000-3-2 :2006	IEC 61000-4-2:2008
+ A1(2009)	IEC 61000-4-3:2006
+ A2(2009)	+ A1(2007)
EN 61000-3-3:2008	+ A2(2010)
	IEC 61000-4-4:2004
	+ A1 (2010)
	IEC 61000-4-5:2005
	IEC 61000-4-6:2008
	IEC 61000-4-8:2009
	IEC 61000-4-11:2004

following the provisions of 2004/108/EC Directive

Place: _____ Signature: _____

Date : _____ Full name: _____



Title: _____



TÜV Rheinland Taiwan Ltd.

Certificate of Appointment

for the applicant:

**Hometek Technology Inc.
No. 67-9, Shir Men Rd., Tu-Cheng City,
Taipei Hsien 236, Taiwan, R.O.C.**

has been authorized to carry out EMC tests by order and under supervision of TÜV Rheinland. It has successfully demonstrated capability to conduct measurement and to process test data according to:

**European and International EMC Standards as listed in the
Scope of Authorization on the attachment to this certificate**

An assessment of the facility was conducted by TÜV Rheinland auditors according to the TÜV Rheinland requirements for "Test Site Approval" with reference to


ISO 17025: 2005

Certificate No.: 10012161-2013

Valid until : Sept. 7, 2014

TÜV Rheinland Taiwan Ltd.
Taipei, April 20, 2013


Dipl.-Ing. Andreas Klinker
Certification Body


Dipl.-Ing. Bodo Kretzschmar
Product Safety and Quality



Attachment to
Certificate

of Appointment

SCOPE OF AUTHORIZATION

Hometek Technology Inc.
No. 67-9, Shir Men Rd., Tu-Cheng City,
Taipei Hsien 236, Taiwan, R.O.C.

European Standards


EN 50081-1	EN 61000-3-3	ENV 50140
EN 50081-2	EN 61000-6-1	ENV 50141
EN 50082-1	EN 61000-6-2	ENV 50204
EN 50130-4	EN 61000-6-3	
EN 50091-2	EN 61000-6-4	
EN 55011	EN 61000-3-11	
EN 55013	EN 61000-4-2	
EN 55014-1	EN 61000-4-3	
EN 55014-2	EN 61000-4-4	
EN 55022	EN 61000-4-5	
EN 55024	EN 61000-4-6	
EN 60601-1-2	EN 61000-4-8	
EN 60801	EN 61000-4-11	
EN 60945	EN 61204-3	
EN 61000-3-2	EN 62040-2	

International Standards

CISPR 11	IEC 61000-4-2	IEC 61000-3-2
CISPR 13	IEC 61000-4-3	IEC 61000-3-3
CISPR 14-1	IEC 61000-4-4	IEC 61000-3-11
CISPR 14-2	IEC 61000-4-5	IEC 61000-6-1
CISPR 22	IEC 61000-4-6	IEC 61000-6-2
CISPR 24	IEC 61000-4-8	IEC 61000-6-3
IEC 801.2	IEC 61000-4-11	IEC 61000-6-4
IEC 801.3	IEC 61000-4-12	IEC 60945
IEC 801.4		IEC 62040-2

Certificate No.: 10012161-2013

Taipei April 20, 2013


Dipl.-Ing. Bodo Kretzschmar
Product Safety and Quality