

## 19" 1U Rack Mounting Multi Port Video Transceivers Hub

ITEM NO.: TPP016, TPA008, TPA008H, TPA016, TPA016H

TPP016, TPA008, TPA016 are multi video transceivers to be install onto one compact 19" wide 1U panel, Panels can reside in the same rack as other equipment, such as switchers, multiplexers, DVR, video conferencing equipment, etc. They are perfect for larger CCTV installations and ideal for security monitoring stations.

### TPP016 16 Port Passive Transceiver Hub In 1U Rack Mounting Panel

- Built in 16 port passive transceivers in 1U 19" rack mounting panel.
- As a rack mounting passive transmitter hub, use with TTA111AVR/ TTA111VR receiver at distance up to 1000 meters.
- Passive, no power required.
- Built in a highly balanced mode of video transmission for extra interference immunity.



### TPA008 8 Port Active Receiver Hub In 1U Rack Mounting Panel

- Built in 8 port TTA111VR active receivers in 1U 19" rack mounting panel.
- **Easy setting with 2 adjustments for color gain and brightness.**
- Built in a highly balanced mode of video transmission for extra interference immunity.
- Built in transient protection and ground lifting.



### TPA008H 8 Port Active Receiver Distribution Amplifier In 1U Rack Mounting Panel

- Built in 8 port TTA111VR active receivers in 1U 19" rack mounting panel.
- **Easy setting with 2 adjustments for color gain and brightness**
- **8 input (UTP screw-terminal input) to 16 output (BNC)**
- **Built in surge protection and ground loop isolation into each channel.**
- Built in a highly balanced mode of video transmission for extra interference immunity.
- Perfect to work with DVR.



## TPA016 16 Port Active Receiver Hub In 1U Rack Mounting Panel

- Built in 16 port TTA111VR active receivers in 1U 19" rack mounting panel.
- **Easy setting with 2 adjustments for color gain and brightness.**
- Built in a highly balanced mode of video transmission for extra interference immunity.
- Built in transient protection and ground lifting.



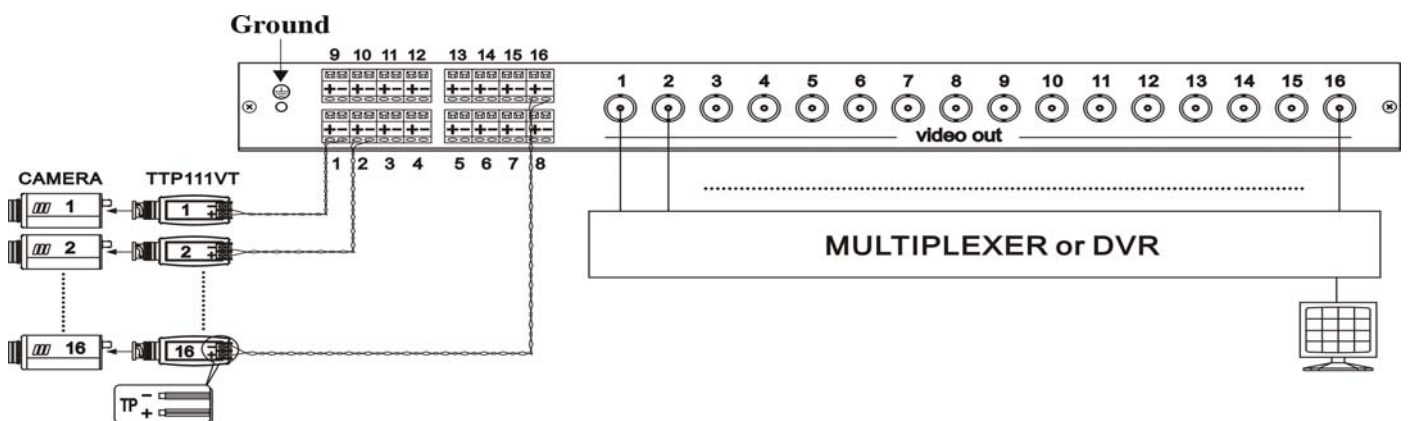
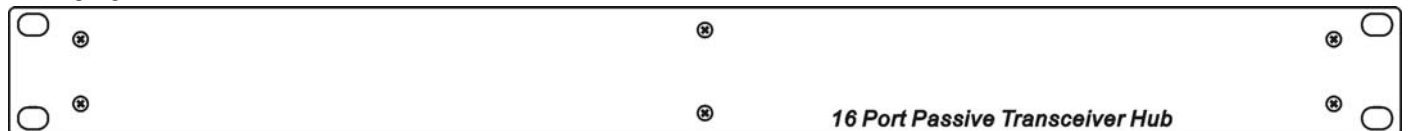
## TPA016H 16 Port Active Receiver Distribution Amplifier In 1U Rack Mounting Panel

- Built in 16 port TTA111VR active receivers in 1U 19" rack mounting panel.
- **Easy setting with 2 adjustments for color gain and brightness.**
- **16 input (UTP screw-terminal input) to 32 output (BNC)**
- **Built in surge protection and ground loop isolation into each channel.**
- Built in a highly balanced mode of video transmission for extra interference immunity.
- Perfect to work with DVR.

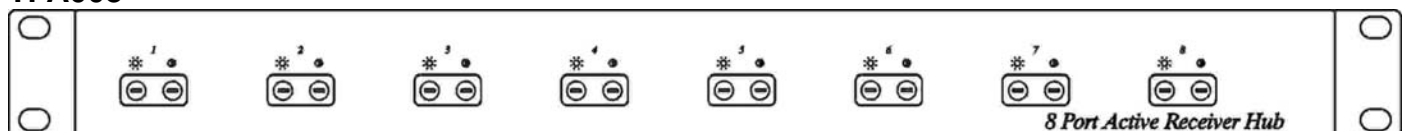


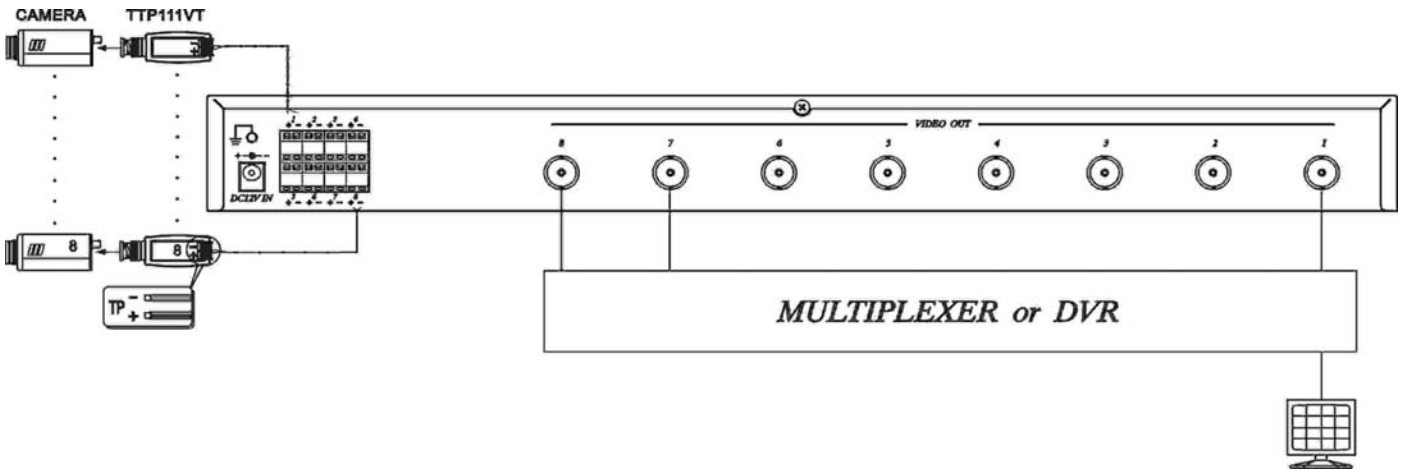
## Installation View:

### TPP016

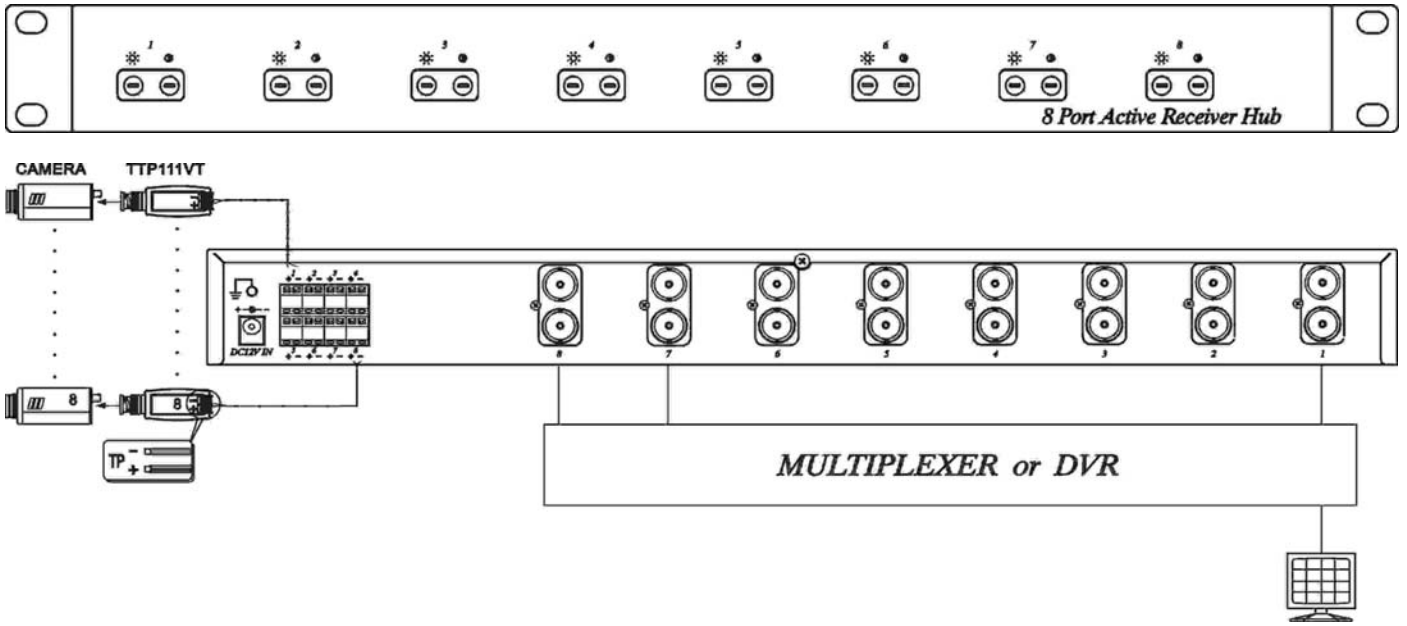


### TPA008

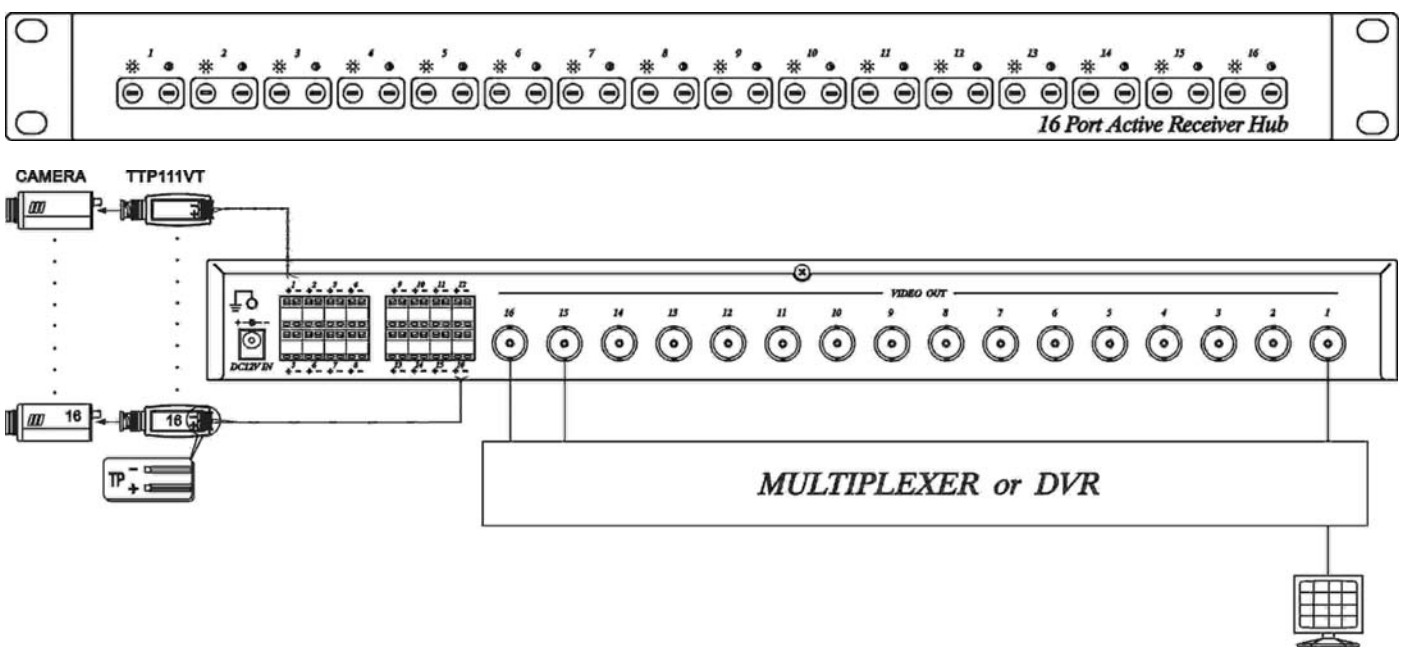




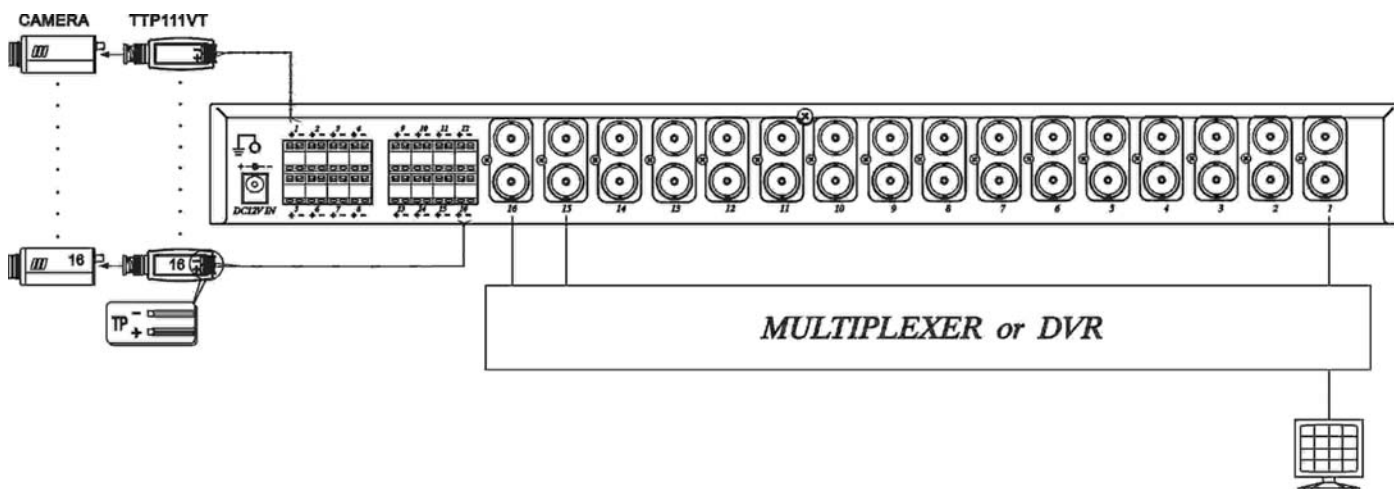
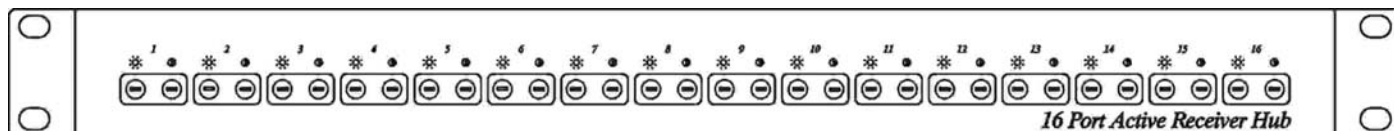
**TPA008H**



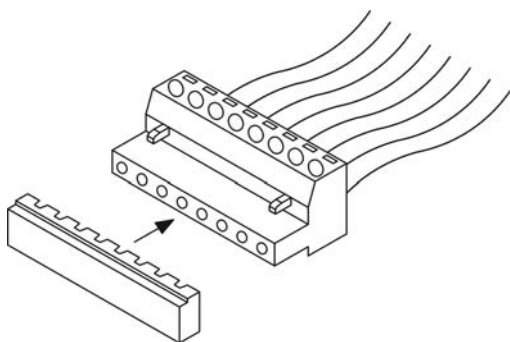
**TPA016**



# TPA016H



# Please note “+”, “-” of signal and cable, if confuse them, picture would be not clear or twisted.



# Removable Terminal Block For Easy Installation

## Specification:

ITEM NO.	TPP016	TPA008	TPA008H	TPA016	TPA016H
Video Input Port	8 pin removable terminal block x 4	8 pin removable terminal block x 2	8 pin removable terminal block x 2	8 pin removable terminal block x 4	8 pin removable terminal block x 4
Video Output Port (BNC Connector)	BNC x 16 (1 Vp-p , 75 Ohm)	BNC x 8 (1 Vp-p , 75 Ohm)	BNC x 16 (1 Vp-p , 75 Ohm)	BNC x 16 (1 Vp-p , 75 Ohm)	BNC x 32 (1 Vp-p , 75 Ohm)
Power Consumption	X	280mA	300mA	380mA	400mA
Power Supply	X	DC 12V 500mA	DC 12V 500mA	DC 12V 1A	DC 12V 1A
Recommend Cable	CAT5 UTP cable (24 AWG)				
Dimension mm	483x186.5x44 (1U)	483x184.5x44 (1U)	483x183x44 (1U)	483x184.5x44 (1U)	483x183x44 (1U)
Weight g	2560	2140	2150	2360	2410
Material	Metal Black				



Rev. B