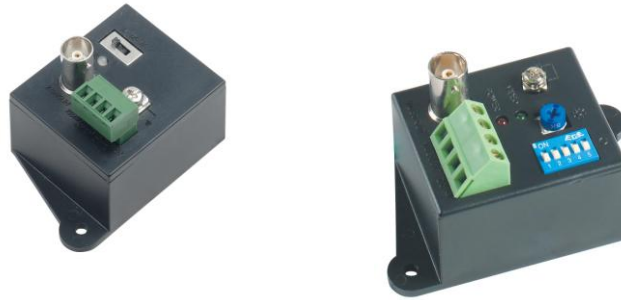


Long Range Twisted Pair Transmission System – Active Series

ITEM NO.: TTA111V (TTA111VT + TTA111VR)

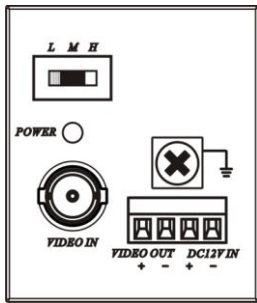


Features:

- To send a full motion color video signal up to 1500 meters over UTP cable.
- Transmitter built in L, M, and H high frequency video gain.
- Easy setting with 2 adjustments for color gain and brightness at TTA111VR receiver.
- System is integrated with alarm sensor (PIR, Magnetic, etc.) or data. (Pan, Tilt, Zoom).
- Built in transient protection and ground lifting, damaging voltage spike problems are eliminated.
- Up to multi pieces TTA111AVT, TTP111VT transmitter can work with 4 channel Hub TTA414VR or 1U rack mounting TPA008/TPA008H, TPA016/TPA016H receiver panel.

Panel view & Function:

TTA111VT



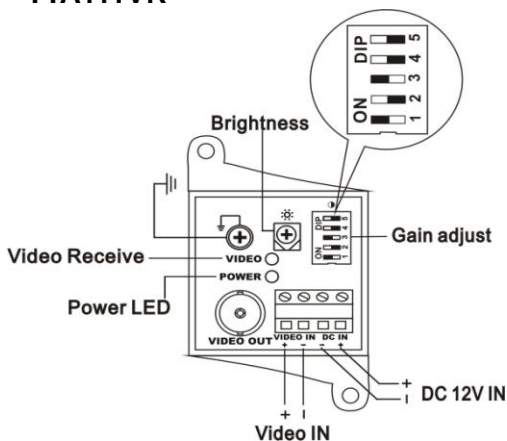
LED Indication:

Green: ON / Power on

Slide Dip Switch for Video Gain :

- L High frequency gain - 6 dB
- M High frequency gain +3 dB
- H High frequency gain +6 dB

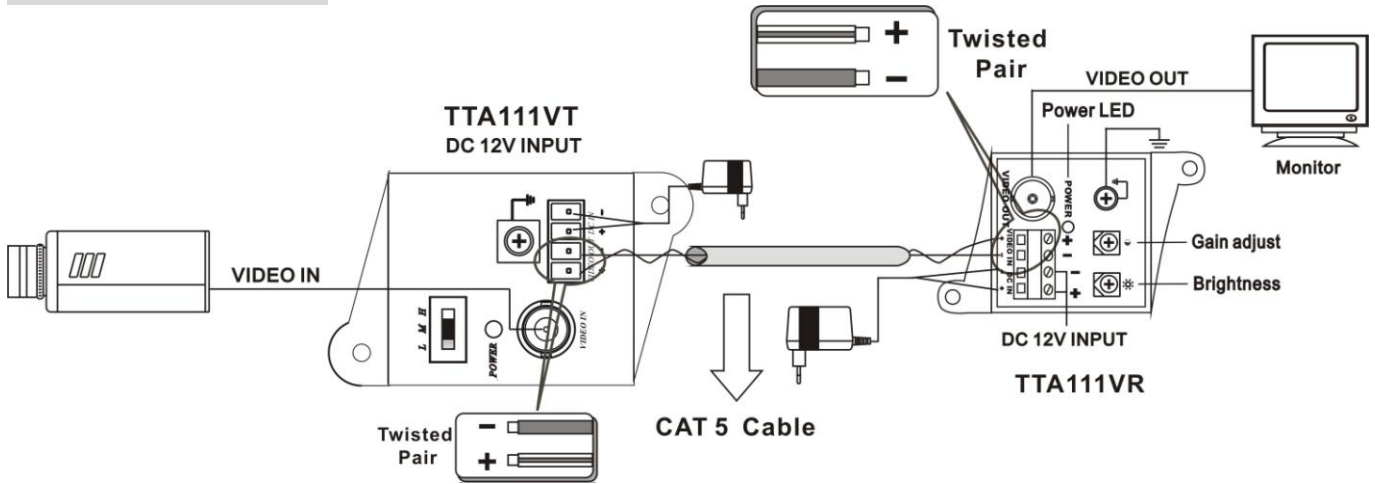
TTA111VR



VIDEO GAIN ADJUSTING (Receiver)	
Press 1 0~300M	Press 4 900~1200M
Press 2 300~600M	Press 5 1200~1500M
Press 3 600~900M	

RJ - 45 Jack		
PIN	Color	Function
1	W-O	D1-
2	O	D1+
3	W-G	Audio +
4	BL	D2+
5	W-BL	D2-
6	G	Audio -
7	W-BR	Video +
8	BR	Video -

Installation View:



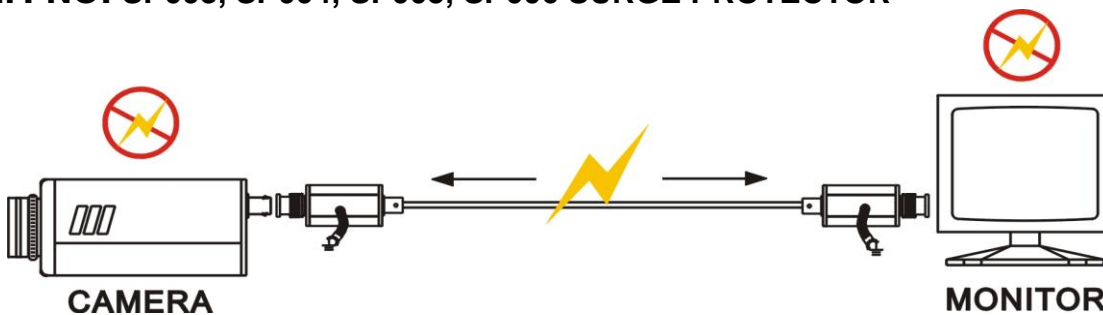
Troubleshooting:

The unit built in transient protection, please make sure to make grounding.

Option:

To protect high value camera and CCTV image processor/monitoring equipment destroyed from high voltage surges from nearby lightning strikes, the long-range twisted pair cable go through outdoors. To add surge protection SP003-SP006 device on the back of camera and front of CCTV image processor/monitoring equipments. Small money to save high value CCTV equipments.

ITEM NO: SP003, SP004, SP005, SP006 SURGE PROTECTOR



Recommend WT104PE Outdoor CAT5 UTP Twisted Pairs cable with PE jacket and steel wire, and use surge protector SP003-SP006 to avoid the damage of twisted pair system under lightning, thunderstorm weather environment.

Specification:

ITEM NO.	TTA111VT
Video Format	NTSC / PAL
Video Input	BNC x 1 (75 Ω · 1 Vp-p)
Video Output	4 pin removable terminal x 1 (100 Ω · Max 3 Vp-p)
Switch	Slide switch x 1
Power Supply	DC 12V 500mA
Power Consumption	75 mA (Max)
Temperature	Operation: 0 to 55°C, Storage: -20 to 85°C, Humidity: up to 95%
DIMENSIONS	mm 43.2 x 74 x 45.2
WEIGHT	g 55

ITEM NO.	TTA111VR	
VIDEO OUTPUT	1Vp-p , 75 Ohms (BNC Connector)	
POWER CONSUMPTION	40mA(max)	
POWER SUPPLY	DC 12V 500mA	
VIDEO GAIN ADJUSTING	1	0~300M
	2	300~600M
	3	600~900M
	4	900~1200M
	5	1200~1500M
RECOMMENDED CABLE	CAT5 UTP Cable 4 pair (24AWG)	
Temperature	Operation: 0 to 55°C, Storage: -20 to 85°C, Humidity: up to 95%	
DIMENSIONS	mm	43.2 x 74 x 45.2
WEIGHT	g	60

RoHS CE FC

Rev. C

Option For TTA111V:

TPN009 2U RACK MOUNTING PANEL

Features:

- Ideal for security monitoring stations or video distribution hubs.
- Standard 19-inch (482mm) wide, 3.5-inch (88mm) 2U high.
- Supports up to 9 pieces of TTA111VT OR TTA111VR.
- This heavy-gauge panel is designed to withstand the mechanical load of multiple cables.

