

## Video & High Power UTP Cabling Solution

### ITEM NO.: TTA111VPDK (TTP111VPDC + TTA111VPDR)

TTA111VPDK Kit is special design to use standard CAT5 & RJ45 structured building wiring to carry video, High DC power and data for simplifying short range installation by centralizing power and reducing installation labor costs, including TTP111VPDC transmitter and TTA111VPDR receiver in one package. TTA111VPDR receiver built in high DC power supply working with TTP111VPDC as transmitter at camera side could support camera loads up to 1.5Amp per channel at distance 300 meters. With data transmission which is perfect for PTZ camera application.



#### TTP111VPDC Video, Power, Data Transmitter Built in DC12V Power regulator

- To send video and remote power over one UTP CAT5 cable.
- Built in RS485 terminal for data transmission.
- Built in power detection with power output DC12V regulated 1.5Amp at 300 meters.
- Built in fan for low operating temperature.
- Transmission distance up to 300 meters.
- Built in LED indication.
- Built in ESD and surge protection.
- For DC12V camera use, the power sources from remote UTP receiver: TTA111VPDR, TTA414VPDR for professional CCTV Industry Installation.

#### TTA111VPDR 1 Port Video, Power, Data Receiver With DC High Power Supply

- Use with TTP111VPDC video, power, data transmitter at camera side to send video and power, data from remote side over over one UTP CAT5 cable..
- RJ45 termination for easy installation.
- Provide high power to remote camera DC12V/25W (Max.)
- Power input: AC100-AC240V.
- Transmission range up to 300 meters.
- Built in LED indication.
- Built in ESD and surge protection.

#### Installation View:

#### RJ-45 Jack Pin Define for Camera Connection

		RJ - 45 Jack		
		PIN	Color	Function
	1	W-O	Power - or Data +	
	2	O	Power + or Data -	
	3	W-G	Power -	
	4	BL	Power +	
	5	W-BL	Power -	
	6	G	Power +	
	7	W-BR	Video +	
	8	BR	Video -	

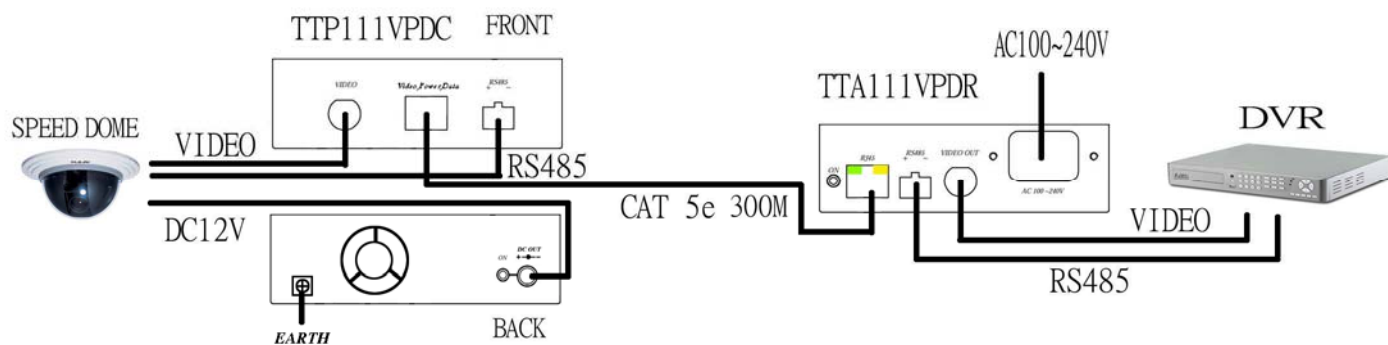
**TTP111VPDC, TTA111VPDR, LED:**

Blue (front panel): power on/off

**TTA111VPDR, RJ45 LED Indication:**

Green : Power Output Normal

Yellow : Video Detection



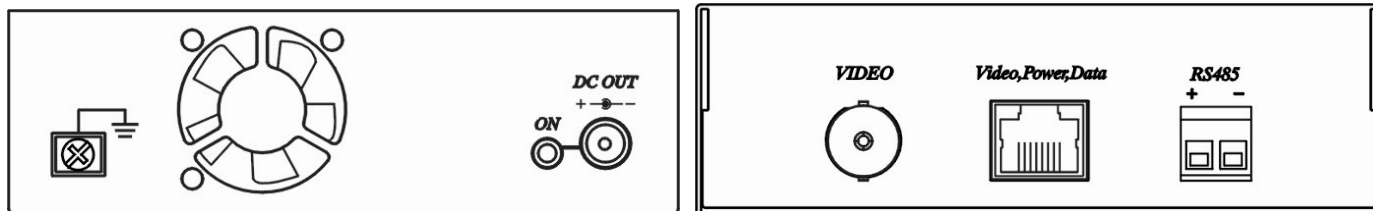
**Power Distance Chart :**

The distance will be affected by cable quality.

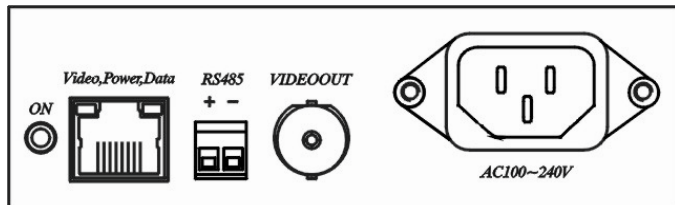
50 M	DC12V/2Amp
100M	DC12V/1.7Amp
200M	DC12V/1.6Amp
300M	1.5Amp

**Product Overview:**

**TTP111VPDC**



**TTA111VPDR**



Caution: to avoid any damage, TTP111VPDC, TTA111VPDR, cabling is not able to connect any Ethernet or PoE network with outside plant routing.

**Specification:**

<b>ITEM NO.</b>	<b>TTP111VPDC</b>
Video, Input	BNC, 1Vp-p, 75ohm
Data Input	RS485 Terminal Block
Video, Data, Power Transmission	RJ45 Termination
LED Indication	Power: Blue color
RJ45 Pin Define	Video: pin 7,8, Data: pin 1, 2, Power: pin 3,4,5,6,
Output Power	12V, 1.5Amp ( Max)
Power Consumption	3W ( Max.)
Distance	300 M
Recommend Cable	CAT 5 Cable 4 Pairs (24 AWG)
Temperature	Operation: 0 to 55°C, Storage: -20 TO 85°C, Humidity: up to 95%
Dimension W x H x D mm	113.5 x 117 x 36
Weight g	400 g

<b>ITEM NO.</b>	<b>TTA11VPDR</b>
Video, Input	BNC, 1Vp-p, 75ohm
Data Input	RS485 Terminal Block
Video, Data, Power Transmission	RJ45 Termination
LED Indication	Power: blue , Power output: green, Video: yellow
RJ45 Pin Define	Video: pin 7,8, Data: pin 1, 2, Power: pin 3,4,5,6,
Power	Input: AC110-AC240V, Output: 54V
Power Consumption	2W ( Max.)
Distance	300 M
Recommend Cable	CAT 5 Cable 4 Pairs (24 AWG)
Temperature	Operation: 0 to 55°C, Storage: -20 TO 85°C, Humidity: up to 95%
Dimension W x H x D mm	117.7 x 117 x 36
Weight g	450 g

RoHS   

Rev.B