

TWISTED PAIR TRANSMISSION SYSTEM

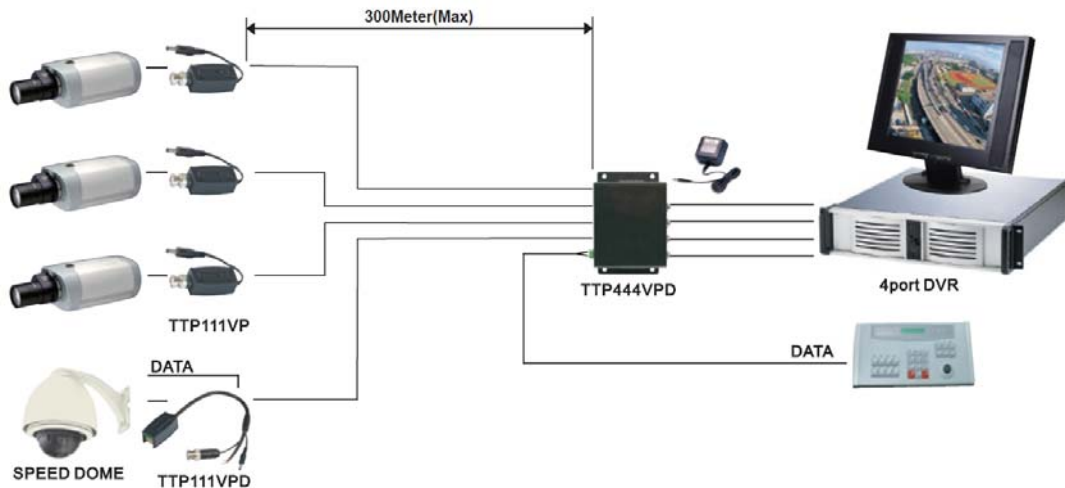
ITEM NO.: TTP444VPD VIDEO, POWER, DATA COMBINER



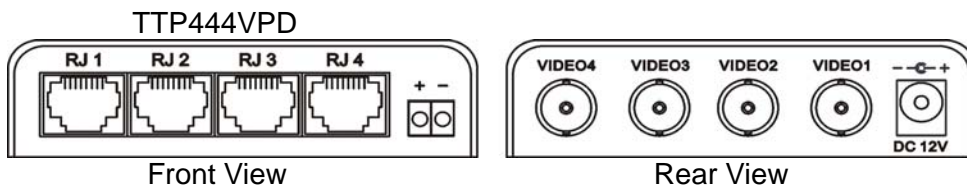
Features:

- TTP444VPD: 4 x BNC female + DC power to 4 x RJ45 female + 2 pin terminal for DATA.
 - Video, camera power, Data (485) transmission over one standard CAT 5 cable.
 - TTP444VPD built in PTC fuse for short protection.
 - Application for sending video, power, data signal up to 300 meters.
 - TTP111VPD / TTP111VPD-RJ45 work with TTP444VPD to send 4 channels video, power, and data over 4 CAT 5 cable.
 - Refer the page 3. "Voltage Drop According to Cable Length" for power transmission range.
 - **Option model:**
- *TDP016: 16 Port Cable Integrator (Video, Power, Data) In 1U Rack Mounting Panel
 *TPP016-RJ45: 16 Port Passive Transceiver Hub In 1U Rack Mounting Panel
 *TPP016VPD: 16 Channel Passive Video, Power, Data CCTV Hub with AC Power Supply in 1U Rack Mounting Hub

Installation View:



Panel View:



RJ-45 Jack Pin Define

		RJ - 45 Jack		
		PIN	Color	Function
<p>JACK POSITION</p>	1	W-O	Data +	
	2	O	Data -	
	3	W-G	Power -	
	4	BL	Power +	
	5	W-BL	Power -	
	6	G	Power +	
	7	W-BR	Video +	
	8	BR	Video -	

Specification:

ITEM NO.	TTP444VPD		
VIDEO OUTPUT (BNC Connector)	4 (1V p-p, 75 Ohms)		
VIDEO INPUT	4 x RJ45		
TRANSMISSION DISTANCE	300M		
DATA Connector	1		
CABLE	Twisted Pair CAT5 (AWG24)		
TEMPERATURE	Operation: 0 to 55°C, Storage: -20 TO 85°C, Humidity: up to 95%		
DIMENSIONS W x H x D mm	110 x 85.1 x 26		
WEIGHT g	205		

RoHS   

Rev. B

Voltage Drop According to Cable Length (24AWG):

Power Range	DC12V								
	50M			100M			300M		
Camera Power Consumption	1 PAIR	2 PAIR	3 PAIR	1 PAIR	2 PAIR	3 PAIR	1 PAIR	2 PAIR	3 PAIR
50mA	11.4	11.7	11.8	10.8	11.3	11.6	9.6	10.6	11
100mA	11	11.5	11.5	9.7	10.8	11.2		9.2	10.1
150mA	10.5	11.2	11.3	9	10.4	10.9			9.3
200mA		11	11.2		9.9	10.6			
250mA		10.7	11		9.4	10.2			
300mA		10.5	10.8			9.9			
350mA		10.3	10.6			9.7			
400mA		10	10.4			9.4			
450mA		9.6	10.2						
500mA		9.2	9.8						

Voltage Range	DC15V											
	50M			100M			300M			600M		
Camera Power Consumption	1 PAIR	2 PAIR	3 PAIR	1 PAIR	2 PAIR	3 PAIR	1 PAIR	2 PAIR	3 PAIR	1 PAIR	2 PAIR	3 PAIR
50mA	14.4	14.7	14.8	13.8	14.3	14.6	11.9	13.6	14	X	12	12.9
100mA	14	14.5	14.5	12.7	13.8	14.2	X	12.2	13.1	X	X	11.1
150mA	13.5	14.2	14.3	12	13.4	13.9	X	11.1	12.3	X	X	X
200mA	12.6	14	14.2	11.3	12.9	13.6	X	X	11.5	X	X	X
250mA	12.1	13.7	14	10.3	12.4	13.2	X	X	X	X	X	X
300mA	11.8	13.5	13.8	X	12	12.9	X	X	X	X	X	X
350mA	11.3	13.3	13.7	X	11.7	12.7	X	X	X	X	X	X
400mA	10.8	13	13.5	X	11.2	12.4	X	X	X	X	X	X
450mA	X	12.7	13.3	X	10.7	12.1	X	X	X	X	X	X
500mA	X	12.4	13.1	X	X	11.6	X	X	X	X	X	X

Voltage Range	DC24V											
	50M			100M			300M			600M		
Camera Power Consumption	1 PAIR	2 PAIR	3 PAIR	1 PAIR	2 PAIR	3 PAIR	1 PAIR	2 PAIR	3 PAIR	1 PAIR	2 PAIR	3 PAIR
50mA	23.8	23.8	23.8	23	23.5	23.6	21	22.4	23	18.1	21.2	22.1
100mA	23.6	23.4	23.5	22.4	23.1	23.3	18.7	21.1	22.2	12.9	18.7	20.4
150mA	22.6	23.2	23.3	21.3	22.6	22.9	16.2	20	21.3	X	16.1	18.9
200mA	22.1	22.9	23.1	20.3	22	22.5	13.7	18.1	20.5	X	13.5	17.1
250mA	21.6	22.6	22.9	19.4	21.6	22.2	10.9	17.4	19.6	X	11.1	15.4
300mA	21.1	22.4	22.7	18.4	21.2	21.9	X	16.1	18.8	X	X	13.8
350mA	20.6	22.1	22.5	17.5	20.6	21.6	X	15	18.1	X	X	12.2

400mA	20.2	21.8	22.3	16.5	20.1	21.2	X	13.9	17.3	X	X	10.7
450mA	19.7	21.6	22.1	15.5	19.6	20.9	X	12.7	16.6	X	X	X
500mA	19.1	21.3	21.9	14.5	19.1	20.5	X	11.3	15.4	X	X	X

	CAT-5 Cable	
UTP CABLE AWG	24 AWG/2 pairs	
Power Supply Voltage	AC24V	
Camera Power Consumption	100 mA	300 Meters
	300mA	100 Meters
	1AMP	30 Meters