

Data Transmission

ITEM NO.: RS001, RS001I, RS001R, RS002, RS002I, RS002E, RS003, RS003I, RS004, RS008, RS016

Data Converter

RS001 RS232 to RS485 Converter

- DB9 female connector for RS232 to 2 wires Terminal Block for RS485.
- Two wire, differential signals, half duplex.
- Non power operation.
- Auto switching baud rate, speed up to 115,200 baud over a distance 1200 meters.
- 32 units connected together in RS-485 multidrop operation.



RS001I RS232 to RS485 Converter-Isolation

- Identical same as RS001, but built in 2.5KV isolation protection.



RS002 RS232 to RS485/RS422 Bi-Directional Converter

- RS232 Input option: DB9 or RJ11.
- RS485/RS422 output option: terminal or RJ11.
- RS232 to RS485 or RS232 to RS422 conversion.
- Four full Duplex wires; two half duplex wires.
- Switch setting for full duplex or half duplex operation.
- Auto Baud Rate Sensing.
- Supports transfer speeds of up to 115.2Kbps.
- Extends up to 1200 meters (under 100Kbps).
- Support up to 32 units to be set in RS-485 multi drop installations.
- LEDS indications for power and signal status monitoring.
- Over current protection when 2 signals are shortened together at the RS422/485 end.
- Surge Protection 16KV ESD.
- Built in termination resistors.
- Power supply included.



RS002I RS232 to RS485/RS422 Bi-Directional Converter-Isolation

- Identical same as RS002, but without RJ11 output and built in 3KV isolation protection.



RS003 USB to RS485 Converter Isolation

- USB to RS485 interface converter.
- Two wire, differential signals, **half duplex**.
- **Non power operation.**
- Auto switching baud rate, speed up to 115,200 baud over a distance 1200 meters.
- 32 units connected together in RS-485 multi drop installations.
- USB 2.0 Compliant
- Powered by PC
- Connect/Disconnect Without Reboot
- Windows 98, ME, XP & 2000 Compatible
- MAC OS 8.6 to 9.2 Compatible
- Software Drivers Included



RS003I USB to RS485 Converter Isolation

- Identical same as RS003, but built in 3KV isolation protection.



Data Repeater, Extender

RS001R RS485 Data Repeater

- Repeater from RS485 data signal to RS485 up to 1200 meters.
- Plug in screw terminal block for easy wiring.
- Power input from DC jack.
- Auto detected Baud rate maximum up to 115.2 Kbps.
- Red Led: Power/RX
- Built in 2.5KV isolation protection.
- Surge protection.



RS002E RS232 CAT5 Extender

- Extends any RS232 compliant devices up to 1200 meters at 57600 bps.
- One CAT5/5E cable.
- Easy plug and play installation.
- Speed up to 115,200 bps.
- Including local and remote unit, 1 x 5V external power supply.
- Single power supply used at local unit.



Serial Data Distributor

RS004 RS485 Distributor 1 Input 4 Output

- **Input option: 1 x RS232, 2 x RS485 (3 input can be "stand by" status at the same time, but only one controller will be activated at once)**
- Output: 4xRS485, each channel connection range up to 1200 meters by twisted pair cable.
- Built in surge protection at each channel.
- Each input/output is isolated.
- Ability to cascade connection to other units RS004/RS008/RS016.
- The application gives serial data back on 4 outputs at the same time, to provide perfect configurations.
- Power supply included.



RS008 RS485 Distributor 1 Input 8 Output In 1U Rack Mounting Panel

- **Identical to RS004, but 1 input 8 output.**



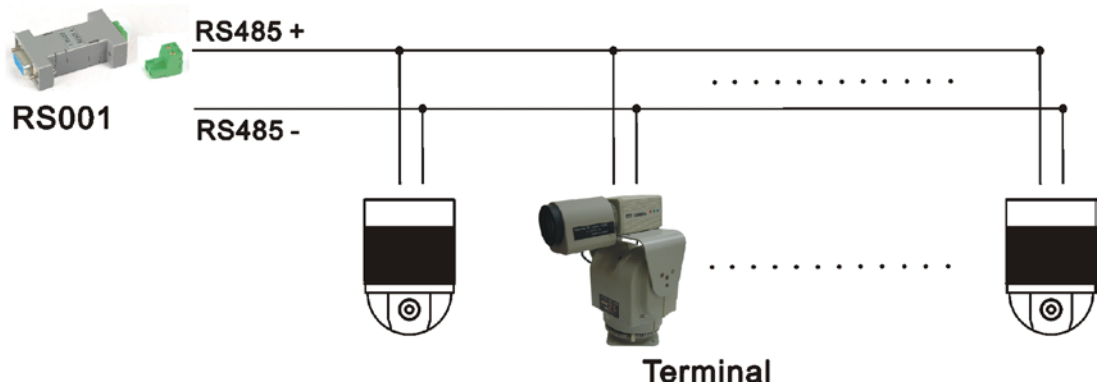
RS016 RS485 Distributor 1 Input 16 Output In 1U Rack Mounting Panel

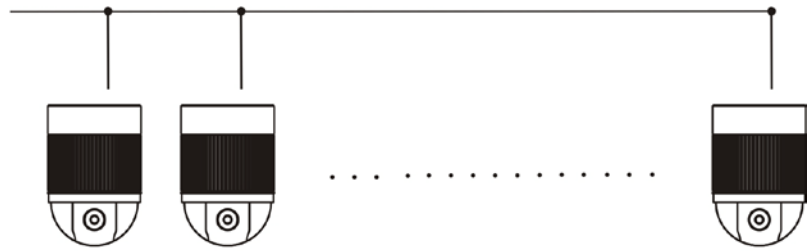
- **Identical to RS004, but 1 input 16 output.**



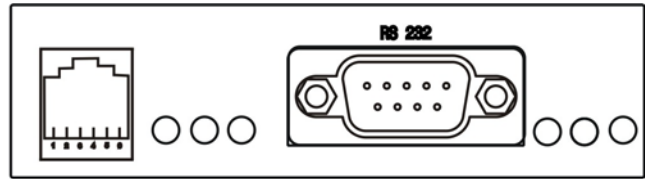
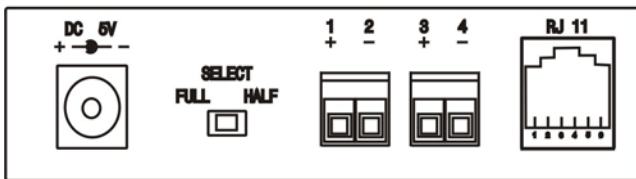
Installation View:

RS001/RS001R

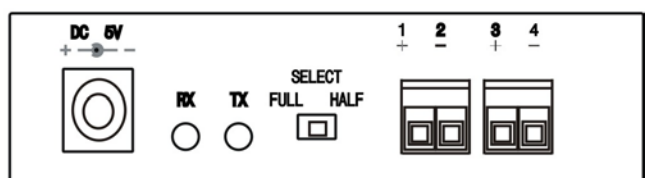
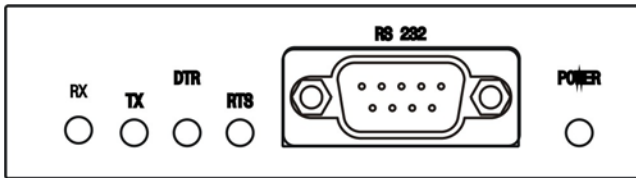




RS002 Panel View:

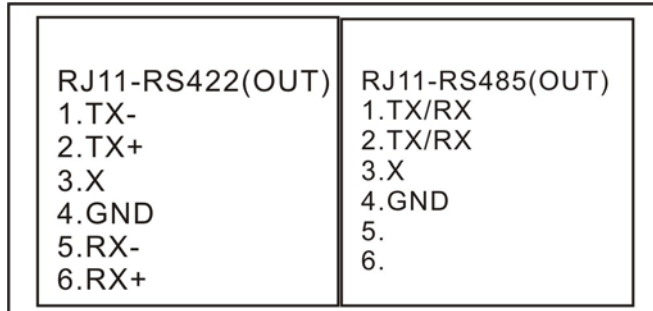
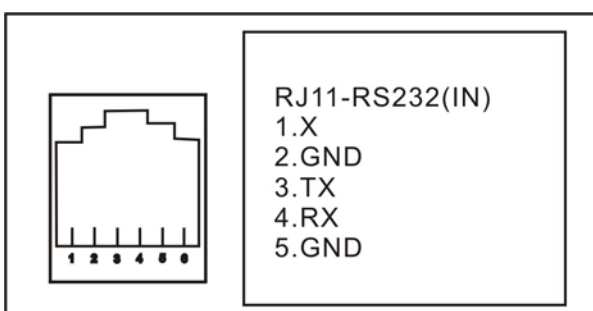


RS002I Panel View:



<i>duplex</i> \ <i>st</i>	<i>1</i>	<i>2</i>	<i>3</i>	<i>4</i>
<i>FULL</i>	<i>T+</i>	<i>T-</i>	<i>R+</i>	<i>R-</i>
<i>HALF</i>	<i>T/R+</i>	<i>T/R-</i>	<i>X</i>	<i>X</i>

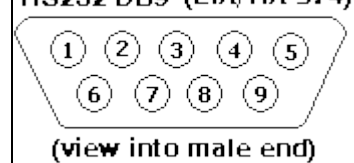
RS002 RJ11/12



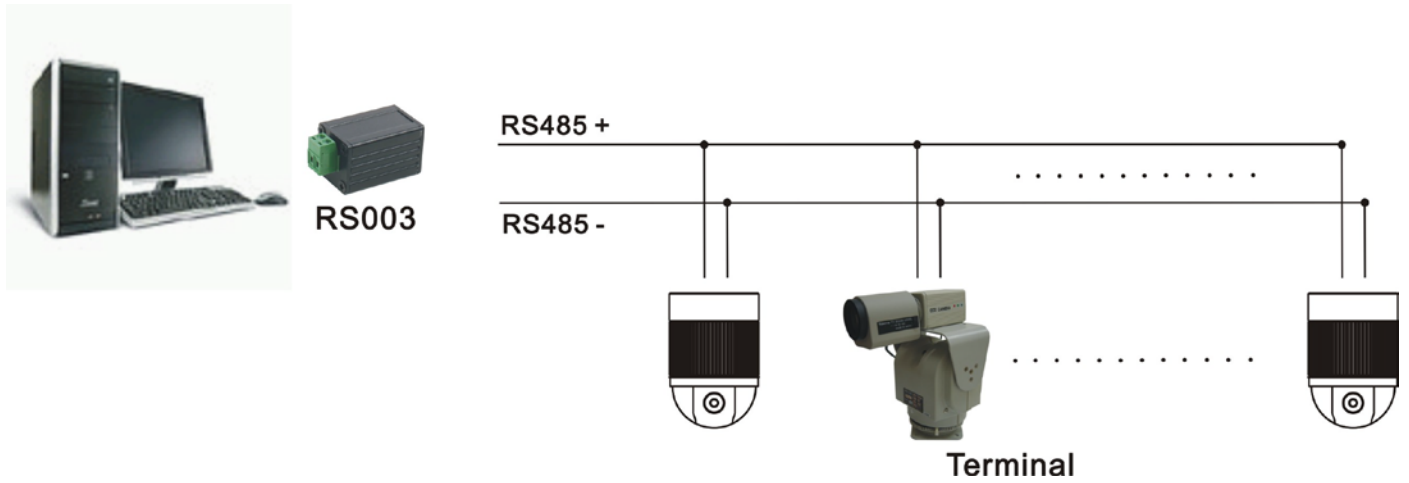
RS232 PIN Assignment

PIN 1	DCD	Data Carrier Detect
PIN 2	RXD	Receive Data
PIN 3	TXD	Transmit Data
PIN 4	DTR	Data Terminal Ready
PIN 5	GND	Chassis Ground
PIN 6	DSR	Data Set Ready
PIN 7	RTS	Request to Send
PIN 8	CTS	Clear to Send
PIN 9	RI	Ring Indicator

RS232 DB9 (EIA/TIA 574)



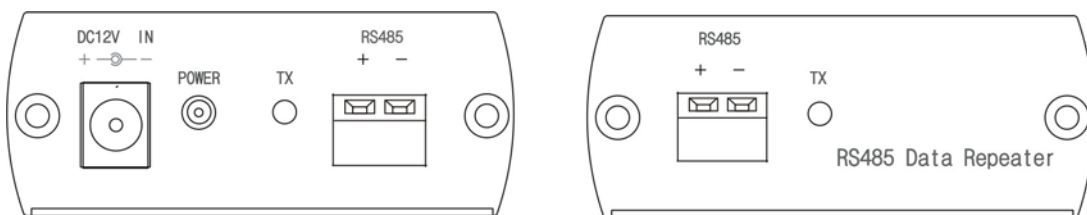
RS003/RS003I



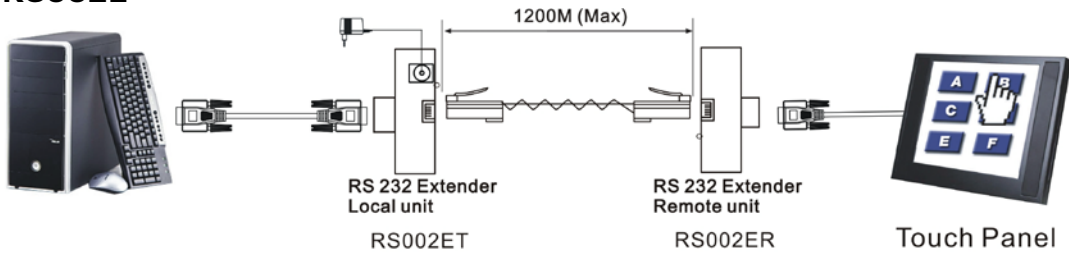
RS001R



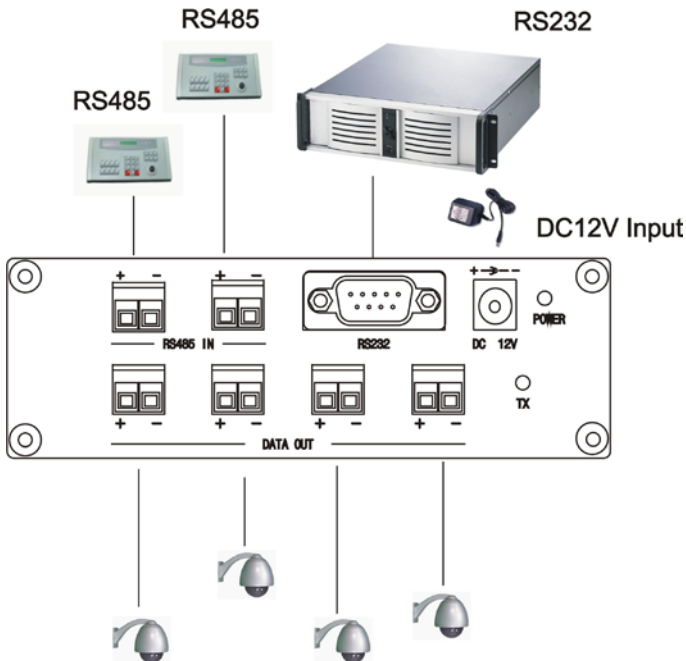
RS001R Panel View:



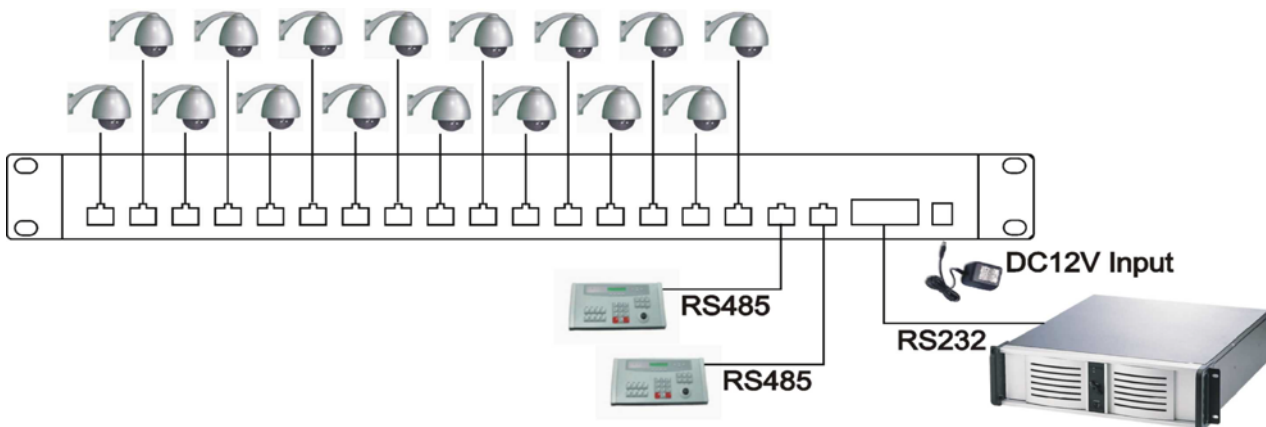
RS002E



RS004



RS008, RS016



Specification:

ITEM NO.	RS001	RS001I
Input Interface	RS232 (DB9)	
Output Interface	RS485(GRN)	RS485(Black)
Transmission Distance	1.2 km	
Max. Power Consumption	60mA	100mA
Power Supply	X	DC 5V 1A
Temperature	Operation -10°C ~ 45°C, Storage -30°C ~ 70, Humidity: up to 95%	
Dimension W x H x D mm	69.5 x 33.5 x 16.8	73.1 x 33.5 x 16.8 with power cord 8cm
Weight g	22	35

ITEM NO.	RS002	RS002I
RS232 Input	RJ11/12 Connector or DB9.	DB9
RS485/422 Output	Terminal or RJ11/12 Connector	Terminal
Signal Output	2-wire half-duplex RS485 or 4-wire full-duplex RS485/RS422	4-wire full-duplex RS485/RS422
LEDS	Power(RED), TX-485(GRN), TX-RS232(GRN),RX-RS232(GRN),DTS(GRN),RTS(GRN)	Power(RED), TX-485/422(GRN), RX-1422(GRN), TX-RS232(GRN), RX-RS232(RED),DTS(GRN),RTS(GRN)
Transmission Range	1.2km	
Temperature	Operation -10°C ~45°C, Storage -30°C ~70, Humidity: up to 95%	
Max. Power Consumption	300mA	
Power Supply	DC5V 500mA Regulated	
Dimension W x H x D mm	108x78.6x27	
Weight g	90	

ITEM NO.	RS003	RS003I
Input	USB 2.0	
Output	RS485	
Input/Output interface	USB B Type x 1 , 2 pint terminal x 1	
Max. Power Consumption	10mA from the USB connector	
Transmission Distance	1.2km	
Temperature	Operation: 0 ~ 55°C, Storage: -20~70°C, Humidity: up to 95%	
Dimensions W x H x D mm	54.6x25.4x25.4	67.5 x 25.4 x 25.4
Weight g	45	60

ITEM NO.	RS002ET (Local)	RS002ER (Remote)
Input/Output	RS232 input, DB-9 female	DB-9 male
	RJ45 Connection	RJ45 Connection
	DC Jack for power	
Power Supply	DC 5V , 500mA	
Max. Power Consumption	90 mA	
Maximum Distance	1.2km	
Data Communication	Half Duplex	
Temperature	Operation: 0 ~ 55°C, Storage: -20 ~ 85°C, Humidity: up to 95%	
Dimensions W x H x D mm	67x70x27	67x70x27
Weight g	108	105

ITEM NO.	RS004	RS008	RS016
Data Input	RS232 / RS485 (DB9x1, 2 pin terminal block)		
Data Output Port (2 pin terminal block)	4 Port	8 Port	16 Port
Transmission Distance	1.2km		
Data Output Signal	RS485		
Power Supply	12 VDC 500mA		
Max. Power Consumption	350mA		
Temperature	Operation: 0 ~ 55°C, Storage: -20 ~ 85°C, Humidity: up ~ 95%		
Dimension W x H x D mm	133X76X44	483x100X44 (1U)	483x100X44 (1U)
Weight g	425	1100	1160

RoHS   

Rev. B