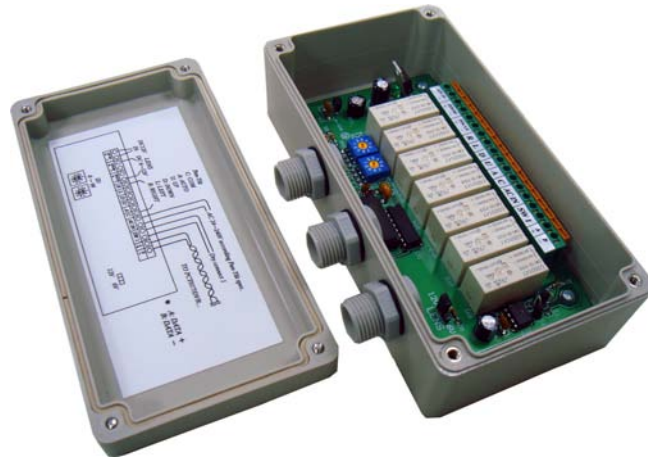


Smart PTZ Receiver

ITEM NO.: PCR011N

SMART PTZ Receiver is designed to control pan & tilt & lens devices via any transmitter systems operating on RS485 with built in PELCO D protocol. The receiver offers system designers the option of using traditional P/T/Z heads for application where it is necessary to specify a range of cameras/lens combinations, support the PTZ data control 100 sets at one time.

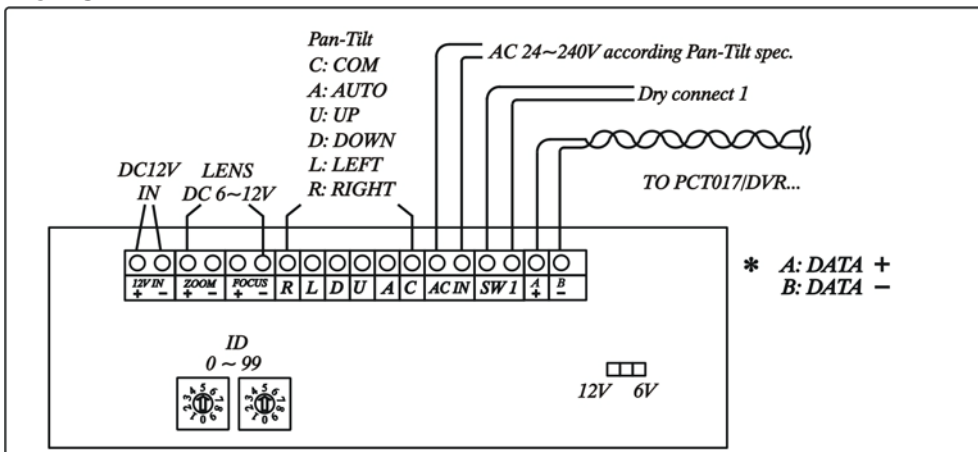


Features:

PCR011N PTZ Receiver

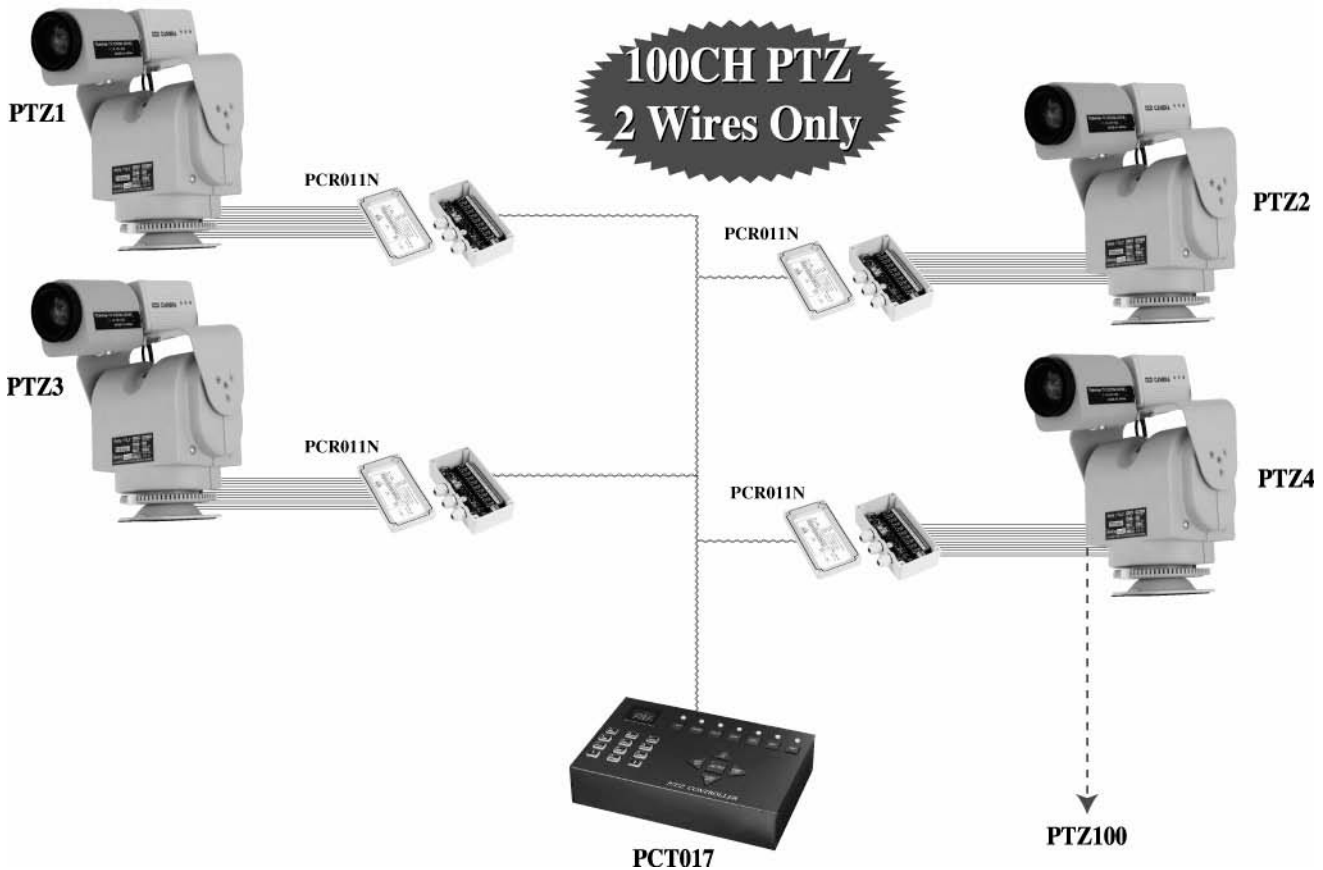
- **Built in PELCO D protocol**
- **IP65 Weatherproof case**
- PAN & TILT control
- Lens control: zoom, focus
- 1 Auxiliary Relay provide for any desired functions: alarm, wash/wipers, lighting
- Easy addressed code setting. (00-99)
- Allows the pan tilt power AC110V/220V/24V, zoom lens power DC12 or 6V (2A-Max.)
- **Support heavy duty Pan tilt working power up to 16 Amp (current).**
- Built in surge protection
- Support all pan, tilt, zoom lens

PCR011N



After wire connection, then start setting the addressed code (00-99) by CODE switch.

- Dry Contact: Auxiliary Relay provide for any desired functions: alarm, wash/wipers, lighting 2 pin wire (red, black)
- AC: Power Input AC24V-240V according Pan-tilt power spec. 8 pin wire (purple, blue).



- 100 sets PTZ Data signal 2 wires connection only by parallel connection.

Specification:

ITEM NO.	PCR011N
Operating Voltage	DC12V
Power Consumption	200mA (Max.)
Transmission	RS485
Cable	CAT 5 Twisted Pair Cable
Transmission Range	1200 meters
Temperature	Operation: -10°C ~45°C, Storage: -30°C ~70°C, humidity: up to 95%
Contact current.	DC30V 8Amp
	AC250V 8Amp
Dimension W x H x D	mm 165.6x102.5x 56
Weight	g 375



Rev. B