

# Online Coaxial HD-CVI/TVI/AHD Surge Protection Device

ITEM NO.: SP009 HD-CVI/TVI/AHD Surge Protector

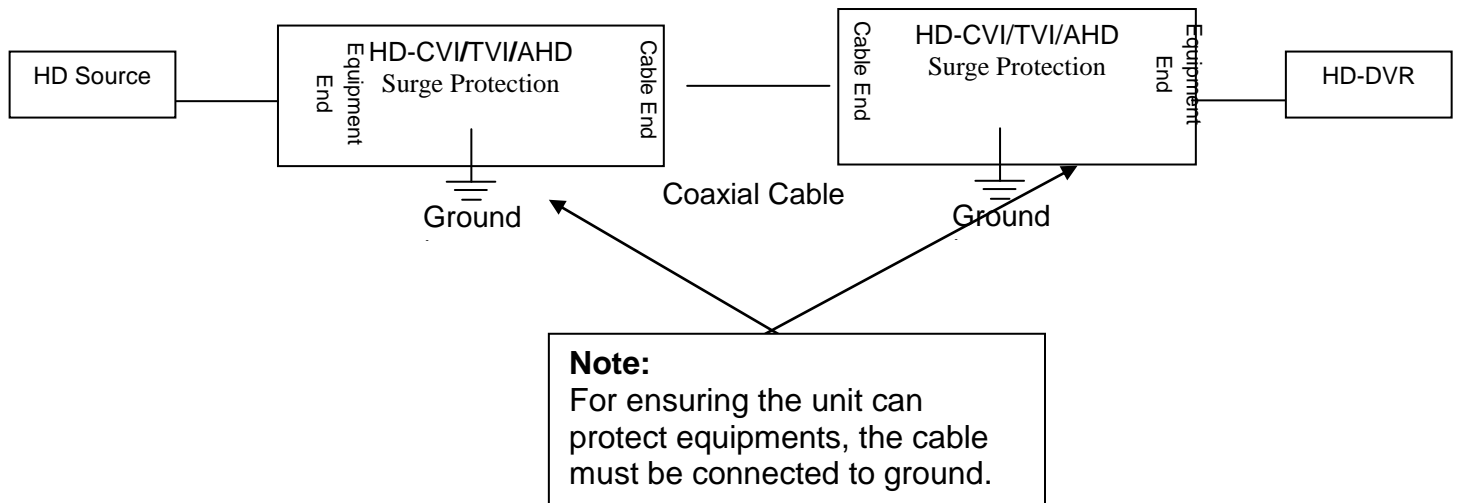


Application for protects equipment from high voltage surges such as lightning strikes. UL grounding requirements for coaxial cable offer protection from hazardous voltages that may occur on the shielding. Because of the physical length of ground wires, UL grounding systems may appear as an open circuit to lightning caused, high frequency surges and provide no protection from these surges getting into a home and destroying CATV converters, TV sets, VCR, Camera etc

## SP009 HD-CVI/TVI/AHD Surge Protector for HD-SDI DVR

- BNC male to BNC female.
- Provide protection for analog HD-CVI, HD-TVI, AHD camera,DVR devices.
- Comply with IEC 61000-4-5.
- Built in EFT (impulse noise) , lightning protection.

### Installation View



### Application

- CATV System
- Antenna of Television
- Video Cassette Recorders
- FM receivers
- HD-CVI/TVI/AHD Cameras and DVR/Monitors

## Recommend Cable

Link cable recommend to use high quality 75Ω Coaxial Cable & BNC connector , to use low quality coaxial cable may case signal loss and effect transmission distance and reliability.

## Specification

ITEM NO	SP009
Input and output interface	BNC (Male) x 1 、 BNC (Female) x 1
Surge Protection Attack Time	< 1nS
Starting voltage surge	7V
Minimum Breakdown Voltage	6V
Maximum Clamping Voltage	25 V
Reference Standard	IEC 61000-4-5
Signal insertion loss	0.9db @ 50Mb/s
Maximum discharge current	2 KA ( MAX )
Environmental Specifications	operation: 0 to 55°C, Storage: -20 to 85°C, Humidity: up to 95%
Dimensions	79.3x25.4x25.4 mm
Weight	75 g

RoHS   