

Wall Plate HDMI & IR Repeater CAT5 Extender

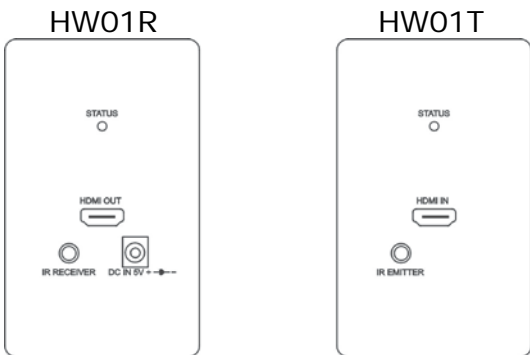
ITEM NO.: HW01 Wall Plate HDMI & IR Repeater CAT5 Extender

HW01 Wall Plate HDMI with IR repeater CAT5 extender is designed to use two low cost CAT5E cable to extend HDTV sources from DVD players, Blu-ray Disc player PS3. With extra IR repeater function for easy and friendly control HDMI sources from the remote site.

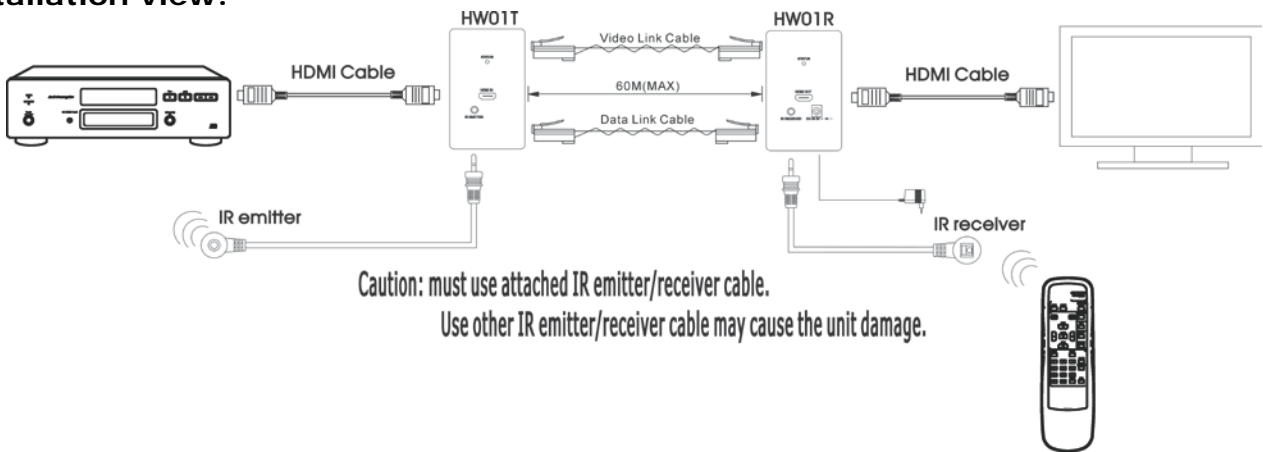
Features:

- Extends HDMI and IR signal over two CAT5/5e/6 cables.
- Transmission range up to 60 meters.
- Support high resolution up to 1080p.
- Built in auto EQ function, no need to do any adjustment for different range.
- Fully HDCP compliant.
- HDMI 1.3a compatible, HDCP 1.1, support DDC, EDID, CEC, Hot Plug Detect
- Built in IR repeater function, could be control the source devices from remote side.
- Receiver unit power could be sending from PCB inside 5V terminal or external 5V DC Jack.
- Package includes: transmitter and receiver unit, one external power adapter, IR emitter cable and IR receiver cable. (1.8 meters (6 ft))

Panel view & Function:



Installation view:



Resolution	Transmission Range (Max.)
480i / 576i / 480p / 576p	60M
720p / 1080i	60M
1080p	50M

Cable:

Video Link cable using hi quality CAT5E UTP or CAT6 UTP cable, CAT6 cable enhances transmission range and signal stability.

Data Link cable using CAT5E UTP/STP cable, It is not hi speed signal transmission, so using regular CAT5E UTP cable will be ok.

RJ45 pin Define:

Video Link (TIA/EIA-568-B)

- 1. Orange-white TMD5 Data2 +

- | | |
|----------------|--------------|
| 2. Orange | TMDS Data2 - |
| 3. Green-white | TMDS Clock + |
| 4. Blue | TMDS Data1 + |
| 5. Blue-white | TMDS Data1 - |
| 6. Green | TMDS Clock - |
| 7. Brown-white | TMDS Data0 + |
| 8. Brown | TMDS Data0 - |

Data Link (TIA/EIA-568-B)

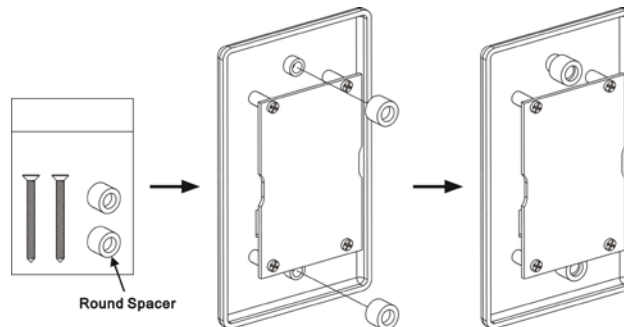
- | | |
|-----------------|-------------|
| 1. Orange-white | CEC |
| 2. Orange | HPD |
| 3. Green-white | SCL |
| 4. Blue | HW01R POWER |
| 5. Blue-white | IR |
| 6. Green | GND |
| 7. Brown-white | SDA |
| 8. Brown | HW01T POWER |

LED Indication:

- HW01T Status:** Blue = normal.
 Red = abnormal (HDMI equipment power off or cable not have properly connection)
 Flash = IR emitting.
 Off = No Power. (HDMI Source power off and no connect with HW01R)
- HW01R Status:** Blue = normal.
 Red = abnormal (HDMI equipment power off or cable not have properly connection)
 Off = No power or power source is too low

Caution:

- The cabling must away from any equipment with electromagnetic wave, i.e.: microwave, radio equipment, high voltage.
- HW01 Data Rate support up to 2.25Gbps, but not support 1080p Deep Color signal.
- IR receiving angle is $\pm 45^\circ$ with maximum distance 5 meters.
 IR emitting angle is $\pm 30^\circ$ with maximum distance 3 meters.



Specification:

ITEM NO.	HW01T	HW01R
Resolution	480i / 576i / 480p / 576p / 720p / 1080i / 1080p	
Data Rate	Max 2.25Gbps	
Link Cable Distance	CAT5e 60M@1080i , CAT5e 40M @1080p	
HDMI Connector	HDMI A Type x 1 (Input)	HDMI A Type x 1 (Output)
3.5 mm Connector	IR emitter	IR receiver
Link Connector	RJ-45 Shielded x 2	
IR Carrier Frequency	38Khz	
Power Consumption	X	500mA (Max)
Power Supply	DC5V 1Amp	
Temperature	Operation: 0 to 55°C, Storage: -20 TO 85°C, Humidity: up to 95%	
DIMENSIONS mm	70.3 x 33 x 115	
Weight g	68	70

