

# HI PERFORMANCE VIDEO GROUND LOOP ISOLATOR SERIES

ITEM NO.: GL001H, TGP001H

The GL001H, TGP001H Video Ground Loop Isolator are passive devices which reduce Ground Loop Interference with CCTV signals and can easily install in a new or added to existing systems. It is useful where a video signal is transmitted via cable between points with different ground potentials, Differences in ground potentials are typically caused by unbalanced power line loads.

## Features:

### GL001H Hi Performance Coaxial Video Ground Loop Isolator

- BNC male to BNC female with mini cable 15cm on both sides.
- Passive type, no power need.
- Hi Performance to eliminate ground loop problem.
- Low video loss , Bandwidth: 20hz -11Mhz ,+0/-3Db
- Prevents video-signal distortion caused by video ground loops.
- Eliminates picture tearing, cross talk and rolling.
- Prevents power cables laid by others interfering with the CCTV system.



### TGP001H Hi Performance Twisted Pair Ground Loop Isolator

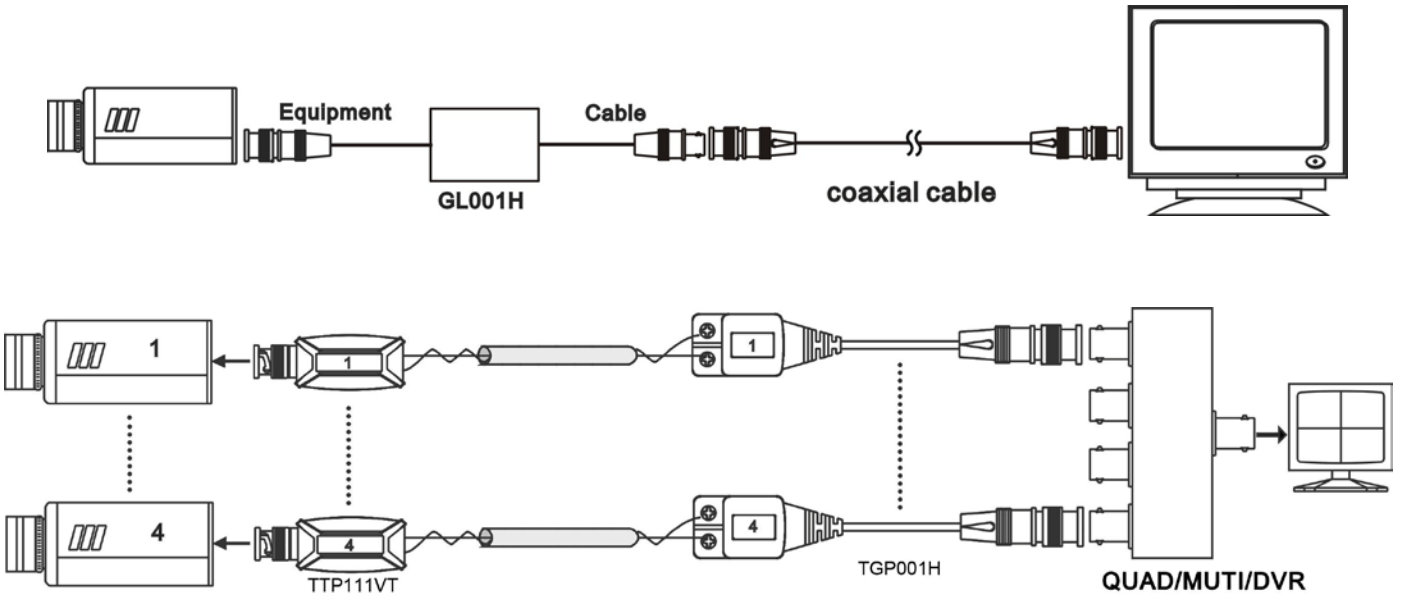
- BNC male to terminal block with 20cm mini coax cable.
- Passive type, no power need.
- Hi Performance to eliminate ground loop problem.
- Low video loss , Bandwidth: 20hz -11Mhz ,+0/-3Db.
- Prevents video-signal distortion caused by video ground loops.
- Eliminates picture tearing, cross talk and rolling.
- Prevents power cables laid by others interfering with the CCTV system.



## Installation View:

The Video Ground Loop Isolator should be installed where runs of video cable are known to have ground loops. It must be installed in the video cable that has come directly from the camera, but before the cable has been connected to anything else.

If several video cameras come from the same area, fix a Video Ground Loop Isolator in every cable, or a ground loop will still remain.



## Specification:

ITEM NO.		GL001H	TGP001H
Insertion Loss			<0.5dB
Bandwidth			20Hz -11MHz, +0/-3dB
Coaxial Input/output Resistance			75 Ohm
Twisted Pair input/output Resistance		X	100 Ohm
Ground loop rejection			>90dB @>50Hz
Isolation Voltage			600VDC (Min)
Insulation Resistance			100m Ohm
Transient Voltage Suppressors			12 Vrms
Material			ABS Black
Dimensions	mm	73x28x26.5 with 20cmx2 cable	78.3x28x27.5 with 24cmx2 cable
WEIGHT	g	80	76

RoHS CE FC

Rev. B