

# Composite Video Distribution Amplifier Series

ITEM NO.: CD02D, CD04A, CD04D



CD02D, CD02D, CD04D are composite video with analog stereo/digital audio distribution amplifiers for AV signals. They can accept a composite signal input from a DVD, projector and the output is amplified to allow connection of multi display monitors. All of them could be stackable for large displays.

## CD02D 1 Input 2 Output Composite Video Distribution Amplifier with Digital/Optical Audio

- 1 x Input: composite video and left, right audio.
- 2 x Output: composite video and left, right audio.
- Cascade connection several units for larger displays with great picture quality.
- **Digital audio: Coax or Optical option.**

## CD04A 1 Input 4 Output Composite Video Distribution Amplifier with Stereo Audio

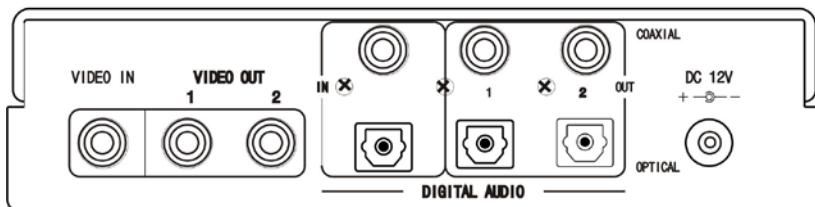
- 1 x Input: composite video and left, right audio.
- 4 x Output: composite video and left, right audio.
- Cascade connection several units for larger displays with great picture quality.

## CD04D 1 Input 4 Output Composite Video Distribution Amplifier with Digital/Optical Audio

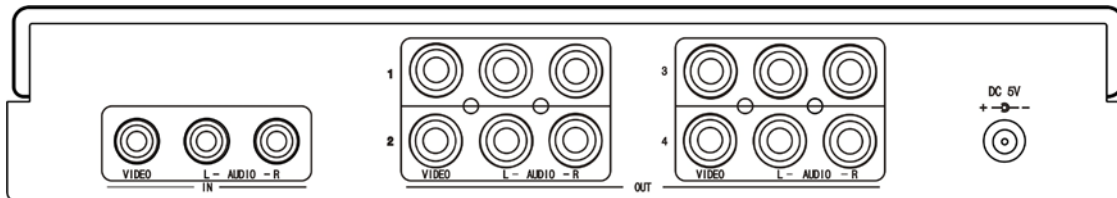
- Identical to CD04A, but digital audio instead of stereo audio.
- **Digital audio: Coax or Optical option.**

### Panel View:

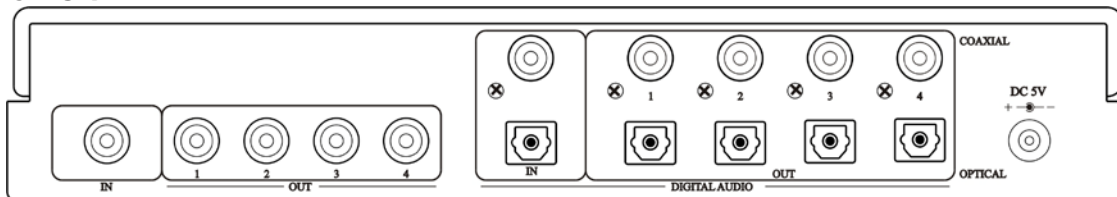
#### CD02D



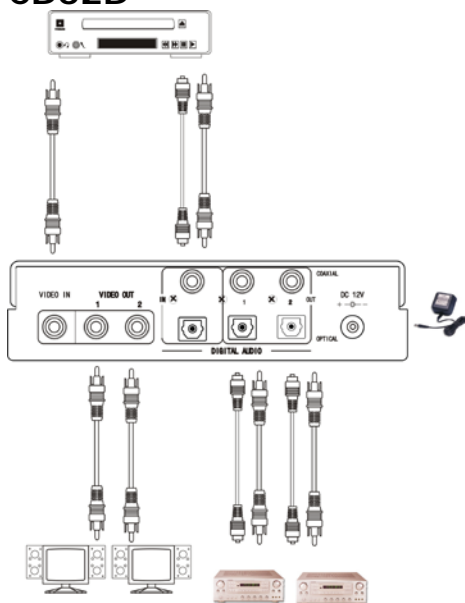
#### CD04A



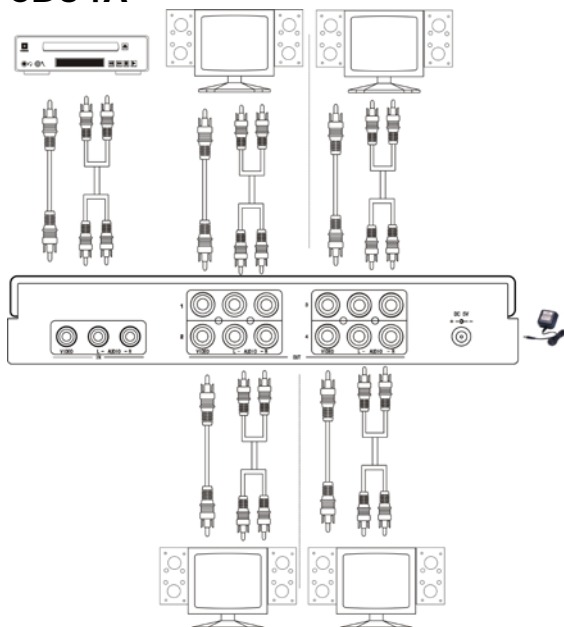
#### CD04D



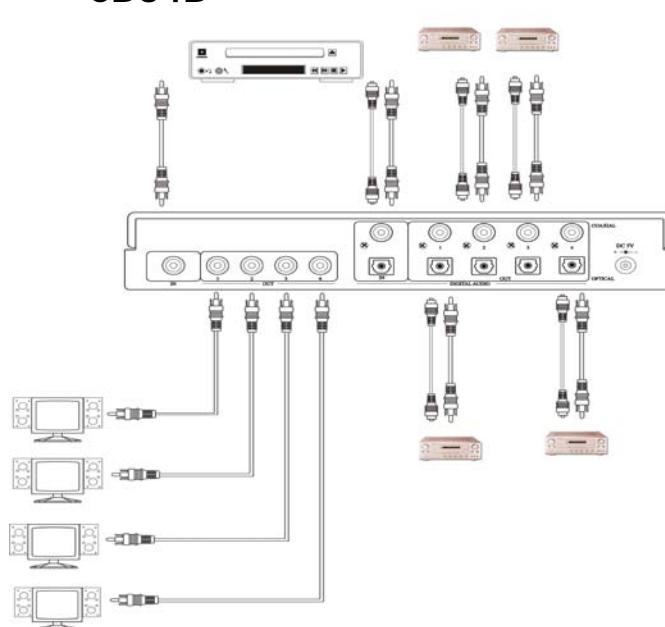
## Installation View: CD02D



## CD04A



## CD04D



## Specification:

ITEM NO.	CD02D	CD04A	CD04D
Video Bandwidth		8Mhz	
Video Input (RCA)		1 x 75Ω, 1.0Vp-p	
Video Output (RCA)	2 x 75Ω, 1.0Vp-p	4 x 75Ω, 1.0Vp-p	
Audio Bandwidth		DC-20Khz	
Audio Input	X	RCA L/R x 1 (10KΩ)	X
Audio Output	X	RCA L/R x 4 (10KΩ)	X
Digital Audio Input	RCA x 1, Optical x 1	X	RCA x 1, Optical x 1
Digital Audio Output	RCA x 2, Optical x 2	X	RCA x 4, Optical x 4
Power Supply	12V DC 500mA	5V DC 1000mA	
Power Consumption		150mA (Max)	
Temperature		Operation: -10°C~45°C, Storage: -30°C~70°C	
Dimensions mm	145 x 96.5 x 37	225 x 167 x 40	
Weight g	280	785	280

