

CATV CAT5 Extender

ITEM NO.: CE01TV CATV CAT5 Extender

The CATV CAT5 Extender built in with a RJ45 with 2M RG6 coax cable which allows traditional 75-ohm coaxial cable to be replaced by a single pair Cat5e UTP cable. Used in pairs, it allows broadband CATV equipment to be integrated into structured cabling systems thereby allowing CATV equipment to be moved or added to any convenient modular wall outlet. It provides a versatile cabling solution for broadband video systems used by offices, schools, government, hospitals, hotels, even private homes.

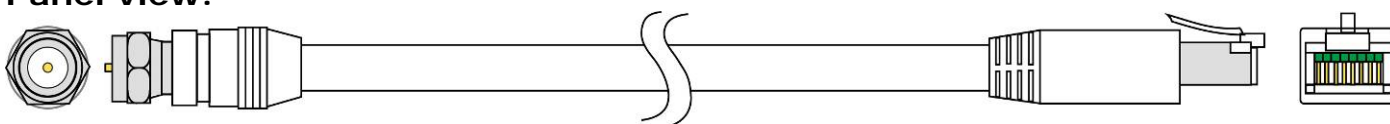
The CATV CAT5 Extender works in conjunction with CATV splitters, amplifiers and cable modems for a total cabling solution.

CE01TV CATV CAT5 Extender

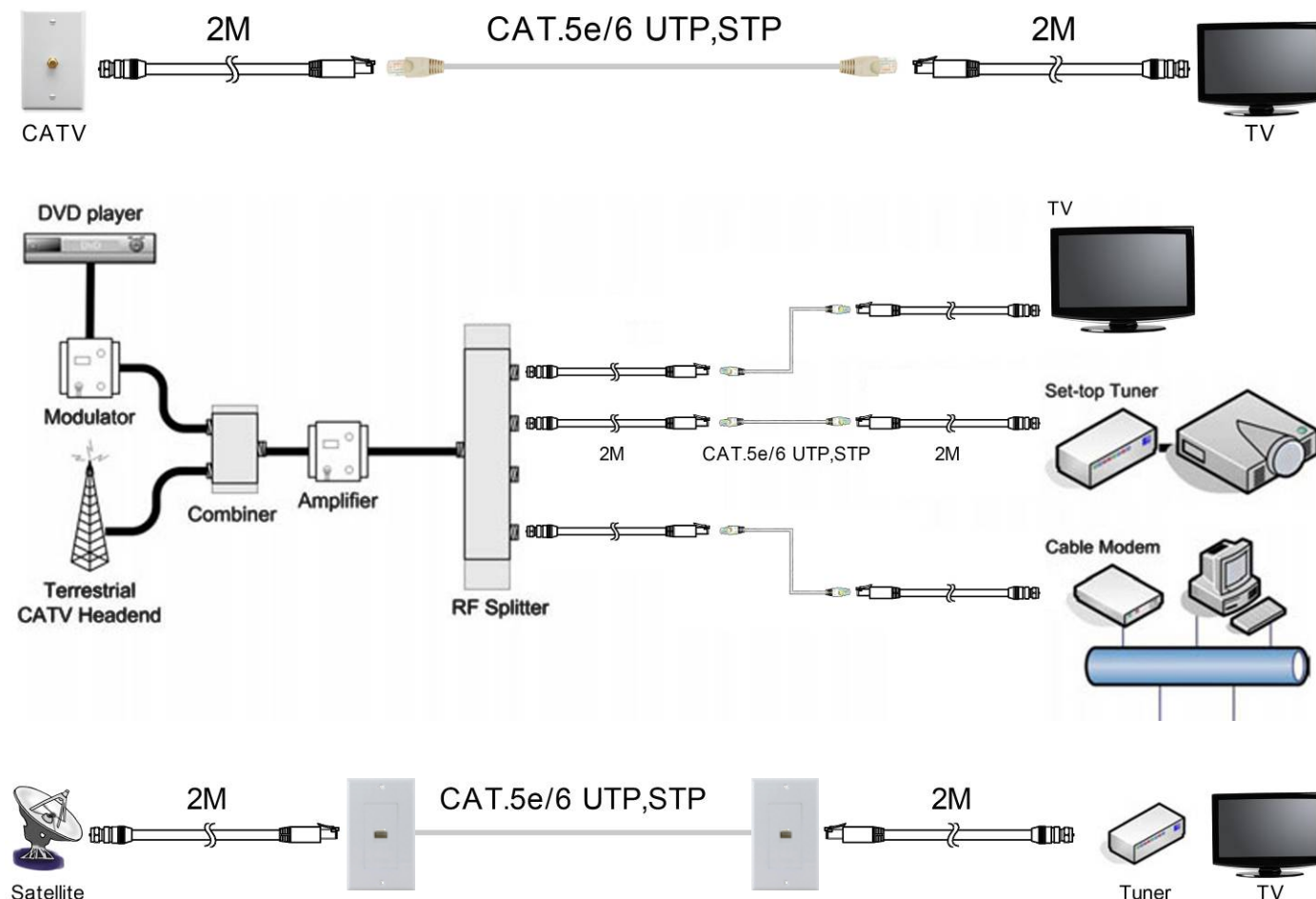
- To send broadband CATV, VHF, VHF and FM signal over CAT5e cable.
- Shielded RJ45 male with 2M RG6 coax cable.
- Passive type, no external power required.
- Support bandwidth 40Mhz to 2.4Ghz.
- Distance up to 30M at 2.4Ghz frequency.
- Max. distance up to 100M based on low frequency.
- Work with CATV, satellite receivers, RF splitter and amplifier.
- Package include 2 units/a pair.



Panel view:



Installation View:



Cable:

Link Cable recommend use high quality Cat.5e. UTP, STP or CAT6 UTP cable.

Transmission Range:

Max. distance up to 100M.

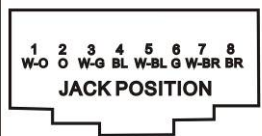
The following distance chart reference may different based on cable quality and input/output signal level.

Cable	Distance	Application Range	Frequency	Remark
CAT.5e UTP	100 M	CATV 2 ~ 6 ; 95 ~ 99 ; 14 ~ 22	54 ~ 174 MHz	To work with amplifier could increase the application range and working distance.
CAT.5e UTP	80 M	CATV 7 ~ 13 ; 23 ~ 36	174 ~ 300 MHz	
CAT.5e UTP	50 M	CATV 37 ~ 94	300 ~ 648 MHz	
CAT.5e UTP	30 M	CATV 100 ~ 158	648 ~ 1002 MHz	
		Satellite signal	1002 ~ 2200 MHz	

RJ45 Pin Define:

Using Standard EIA/TIA 568B

PIN	RJ45 Jack	
	Color	Function
1	W-O	X
2	O	X
3	W-G	X
4	BL	X
5	W-BL	X
6	G	X
7	W-BR	Signal (-)
8	BR	Signal (+)


Caution:

The wiring must away from any equipment with electromagnetic wave, i.e.: mobile phone, microwave, radio equipment, fluorescent lamp, high voltage power cable.

Specification:

ITEM NO	CE01TV
Input/Output Interface	F (male) x 1 , RJ45 x 1
Support Bandwidth	40MHz ~2.4GHz
3dB Bandwidth	40 MHz ~ 1 GHz
Insert Loss	< 3 dB @ 40 ~ 1 GHz
Return Loss	> 18 dB @ 40 ~ 1 GHz
Common-Mode Rejection Ratio (CMRR)	-20dB or higher @ 40 MHz ~ 1 GHz
CAT.5e/6 UTP Cable	24AWG, Impedence : 100Ω
Coax Cable	Impedence : 75Ω @ 1 MHz (RG6)
Transmission Distance	Based on frequency or input video signal level, max. up to 100M
Temperature	Operation: 0 to 55°C, Storage: -20 TO 85°C, Humidity: up to 95%
Dimensions mm	14.2 x 15.6 x 2000
Weight g	135