

Coaxial Cabling : Video Distributor & Video Amplifier Series

ITEM NO.: CD816A 8 Input 16 Output Video Distribution Amplifier

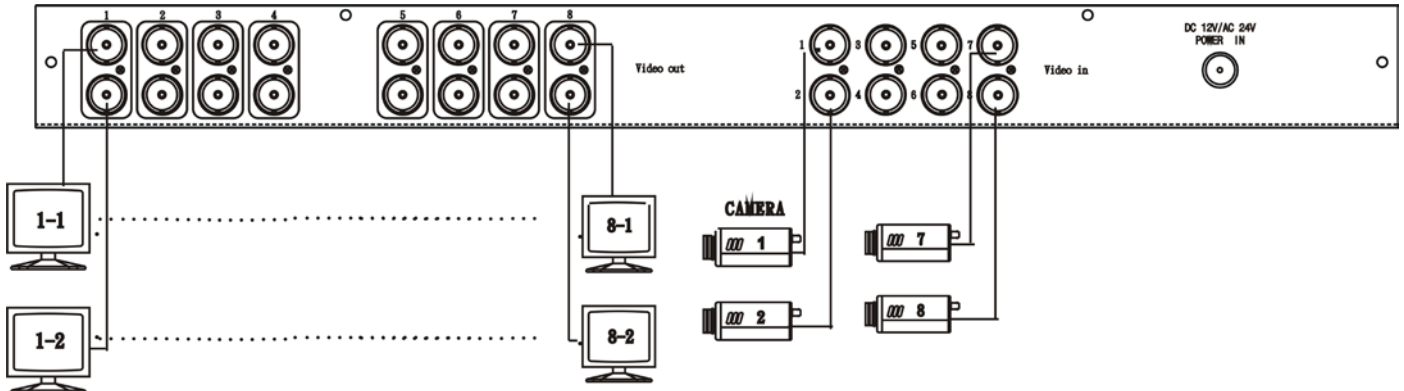


CD816A is video distribution Amplifier. 8 input, 16 outputs, each channel with 2 outputs. Each output built in Brightness and Sharpness adjustment. It takes 1U of space in standard 19" Rack. It's suitable for far distance, different floor in a building or different electrical field.

Features:

- Wide bandwidth, video gain compensation amplification.
- HF compensation.
- 10dB adjustable image gain.
- Sharpness and Brightness adjustment.
- Transmission range: 1000 meters (RG59 coaxial cable).
- Red LED: power on/off.
- It can be connected video camera, multiplexer, VCR, DVR...etc.
- Power supply included.

View of Installation:



Specifications:

| | |
|----------------------|---|
| ITEM NO. | CD816A |
| Video Input Channel | BNC x 8 |
| Video Output Channel | BNC x 16 |
| Video Input Level | 0.8~1.2Vp-p, 75 Ohms |
| Video Output Level | 1Vp-p (Standard), 75 Ohms |
| Video Bandwidth | 10hz - 10MHz |
| Power Supply | DC12V 500mA / AC24V |
| Power Consumption | 250mA |
| Temperature | Operation: 0 to 55°C, Storage: -20 to 85°C, Humidity: up to 95% |
| Dimensions mm | 483 x 181.2 x 44(1U) |
| Weight g | 2120 |



Rev. B